



System Manager App

Overview

NOTIFIER® System Manager is a cloud-based application that streamlines life safety system management through mobile event notification and access to relevant fire system information. System Manager is powered by **eVance® Services** and receives real-time system events from the **NOTI-FIRE-NET™** through a web-based portal. System Manager users can view event status, event history, device properties and other information on a mobile device.

System Requirements

- Internet Connection
- Ethernet Network:

Application Notes

- System Manager is an invaluable tool for mid-size applications (K-12 schools, hotels, high rises, hospitals, manufacturing) or large applications (multi-building campuses)
 - Facility staff and appropriate building personnel receive push notifications of emergency and maintenance events on their mobile device to efficiently manage daily operational tasks and troubleshoot/diagnose system issues.
 - System events/details can be easily forwarded to others via text/email.
 - User monitoring profiles can be conveniently configured in the app.

Port	Type	Direction	Purpose
53	UDP and TCP	Out	DNS resolution
80	TCP	In	Redirection to Port 443
123	UDP	Out	SNTP
443	TCP	In	The web portal accepts connections on port 443 for configuration of the web portal. Typically, this incoming connection is local to the site intranet and not externally from the internet.
		Out	The web portal communicates out to the eVance server on the internet (www.evanceservices.com).

NOTIFIER Equipment

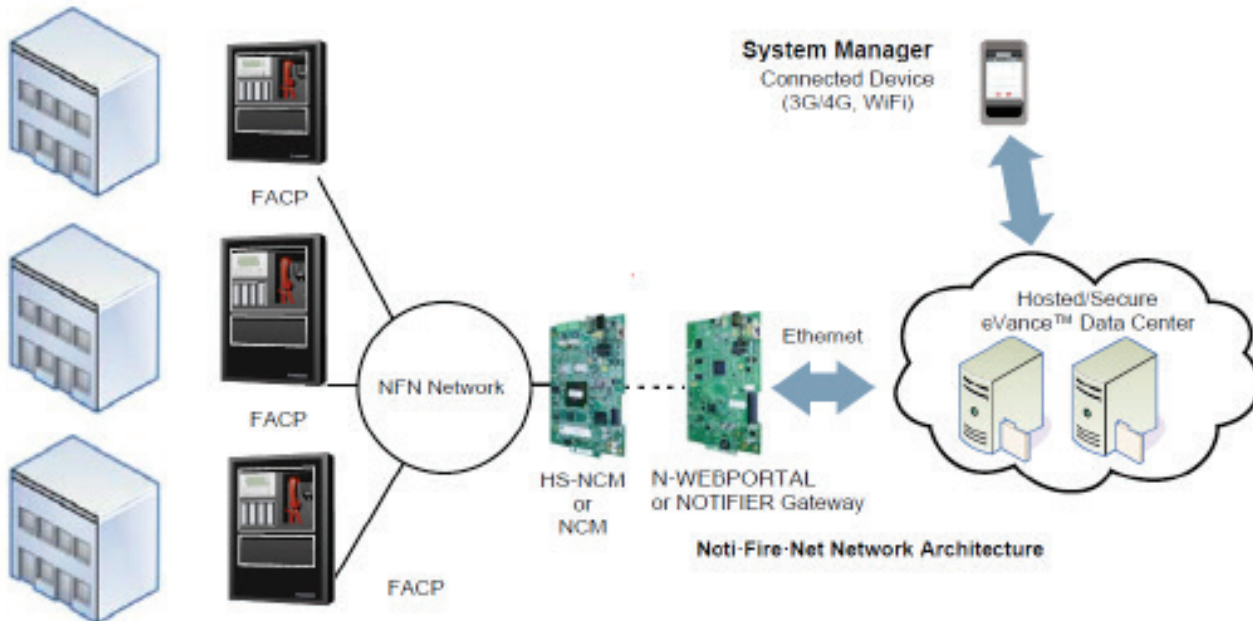
Required	Data Sheet	Manual
System Manager License	DN-60983	System Manager Guide
Any of the following web-based devices (Board type: HS-GW-EMPCB and Firmware Version 4 or higher)		
NFN-GW-EM-3	DN-60499	LS10017
NFN-GW-PC	DN-7060	LS10078
BACNET-GW-3	DN-6877	LS10014
NWS-3	DN-6928	51990
N-WEBPORTAL		LS10094
Standalone ONYX® Series Panel or NOTI-FIRE-NET™ network (5.0 or higher)	DN-6971	51584
Optional	Data Sheet	Manual
NCM-W/F for network applications	DN-6861	51533
NOTI-FIRE-NET™ network (5.0 or higher)	DN-6971	51584
HS NCM for High Speed network applications	DN-60454	54014
High Speed NOTI-FIRE-NET™	DN-60455	54013

Restrictions

The following restrictions apply:

- The web-based device (above) must have a static IP address. DHCP is not supported.
- Web access via an HTTP proxy server is not supported.

Campus Application



This document is not intended to be used for installation purposes.
We try to keep our product information up-to-date and accurate.
We cannot cover all specific applications or anticipate all requirements.
All specifications are subject to change without notice.

NOTIFIER

12 Clintonville Road
Northford CT 06472
203.484.7161
www.notifier.com

©2018 by Honeywell International Inc. All rights reserved.
Unauthorized use of this document is strictly prohibited.

Rev 01 | SS-SystMgr | 01/2018

 **NOTIFIER®**
by Honeywell