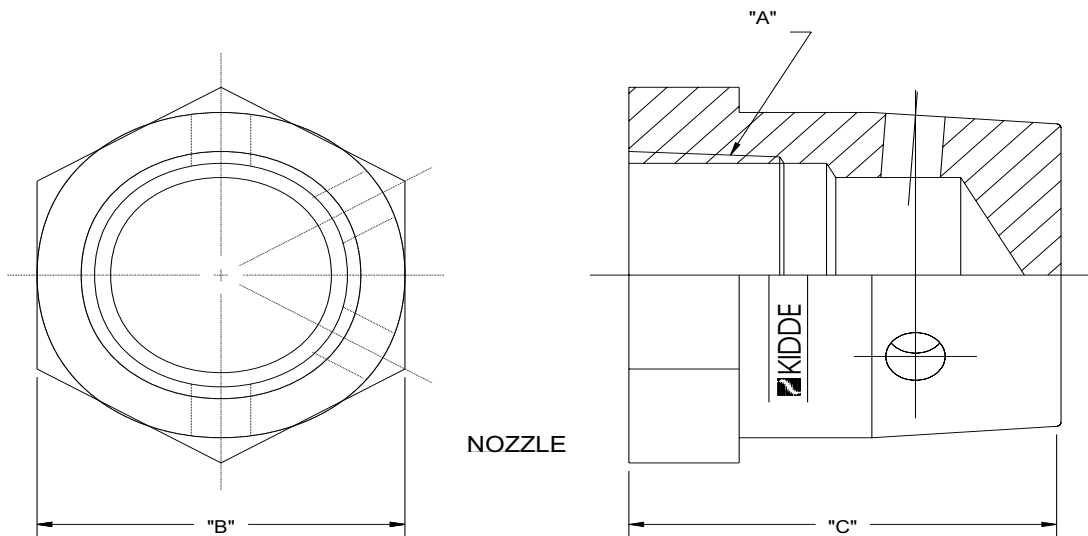


FE-13 Component Description

Effective: August 1999

FE-13 180 Pendant Nozzle

K-96-9200



NOZZLE

"B"

LABEL
P/N: 06-231865-876

	FE-13 P/N 96-19401X-XXX
--	-----------------------------------

"A" THREAD	DIM. "B"	DIM. "C"
1/2" NPT	1.25 HEX	1.937
3/4" NPT	1.50 HEX	2.125
1" NPT	1.75 HEX	2.375
1 1/4" NPT	2.25 HEX	2.750
1 1/2" NPT	2.50 HEX	3.005
2" NPT	3.00 HEX	3.202

A SELECTION OF ORIFICES ARE AVAILABLE FOR EACH NOZZLE SIZE. CONSULT YOUR KIDDE DIOM MANUAL FOR DETAILS

P/N: 96-19401X-XXX

This literature is provided for informational purposes only. KIDDE-FENWAL, INC. assumes no responsibility for the product's suitability for a particular application. The product must be properly applied to perform as described herein.

If you need more information on this product, or if you have a question, contact KIDDE-FENWAL, INC., Ashland, MA 01721. (508) 881-2000.

K-96-9200 8/99 ©1999 Kidde-Fenwal, Inc. Printed in U.S.A.

KIDDE
Fire Systems

KIDDE-FENWAL, INC.
 400 MAIN STREET, ASHLAND, MA 01721
 TEL: (508) 881-2000 FAX: (508) 881-8920