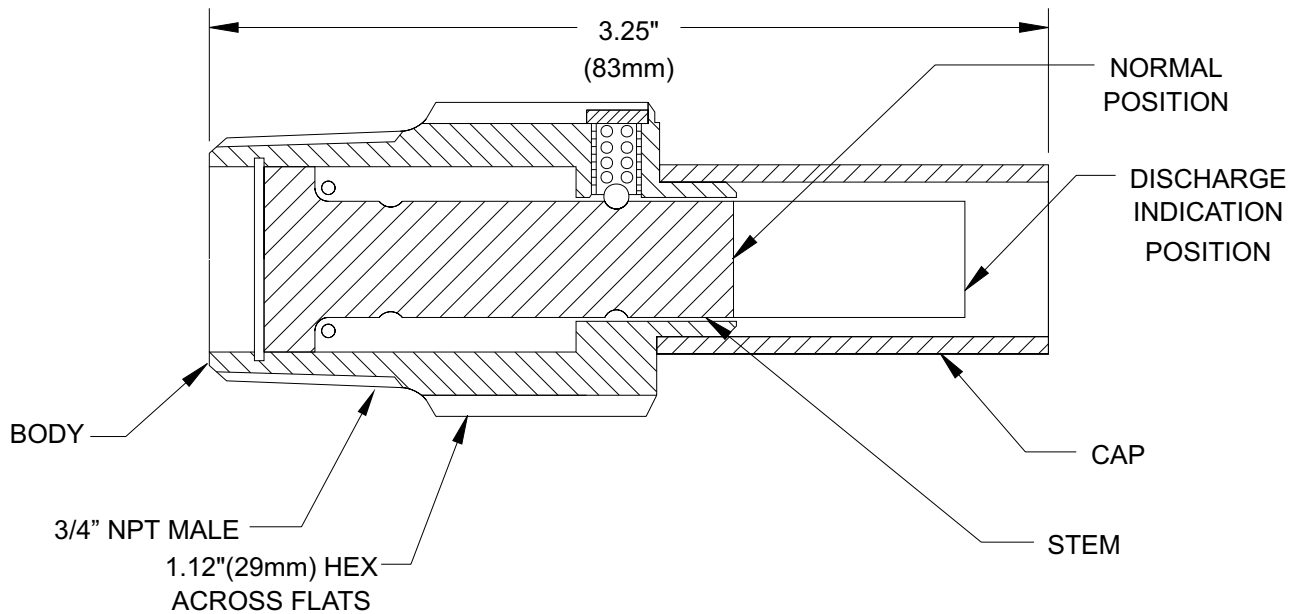


# FE-13 Component Description

Effective: July 1999

K-96-5160

## Discharge Indicator



### MATERIALS

**BODY: BRASS**

**CAP: CLEAR CELLULOSE ACETATE**

P/N 967082

This literature is provided for informational purposes only. KIDDE-FENWAL, INC. assumes no responsibility for the product's suitability for a particular application. The product must be properly applied to perform as described herein.

If you need more information on this product, or if you have a question, contact KIDDE-FENWAL, INC., Ashland, MA 01721. (508) 881-2000.

K-96-5160 7/99 ©1999 Kidde-Fenwal, Inc. Printed in U.S.A.

 **KIDDE**<sup>®</sup>  
**Fire Systems**

KIDDE-FENWAL, INC.  
400 MAIN STREET, ASHLAND, MA 01721  
TEL: (508) 881-2000 FAX: (508) 881-8920

 **KIDDE**<sup>®</sup> Fire Systems