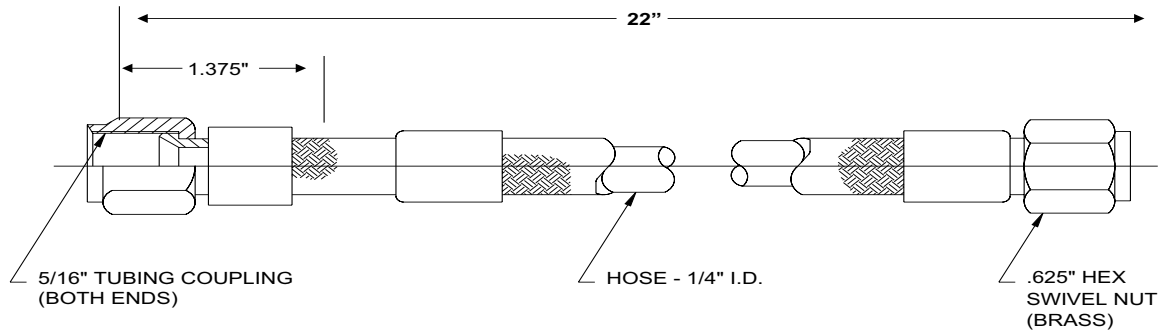


# FE-13 Component Description

Effective: July 1999

1/4" Flexible Actuation Hose

K-96-3035



P/N: 264987

## MATERIALS

**HOSE: WIRE BRAIDED, TEFLON LINING (CRES T304)**

**COUPLINGS: BRASS**

**MINIMUM BURST PRESSURE: 12,000 PSIG**

**OPERATING PRESSURE: 3000 PSIG**

**TEST PRESSURE: 4500 PSIG**

**MINIMUM BEND RADIUS 2.5"**

This literature is provided for informational purposes only. KIDDE-FENWAL, INC. assumes no responsibility for the product's suitability for a particular application. The product must be properly applied to perform as described herein.

If you need more information on this product, or if you have a question, contact KIDDE-FENWAL, INC., Ashland, MA 01721. (508) 881-2000.

K-96-3035 7/99 ©1999 Kidde-Fenwal, Inc. Printed in U.S.A.

 **KIDDE**<sup>®</sup>  
**Fire Systems**

KIDDE-FENWAL, INC.  
400 MAIN STREET, ASHLAND, MA 01721  
TEL: (508) 881-2000 FAX: (508) 881-8920

 **KIDDE**<sup>®</sup> Fire Systems