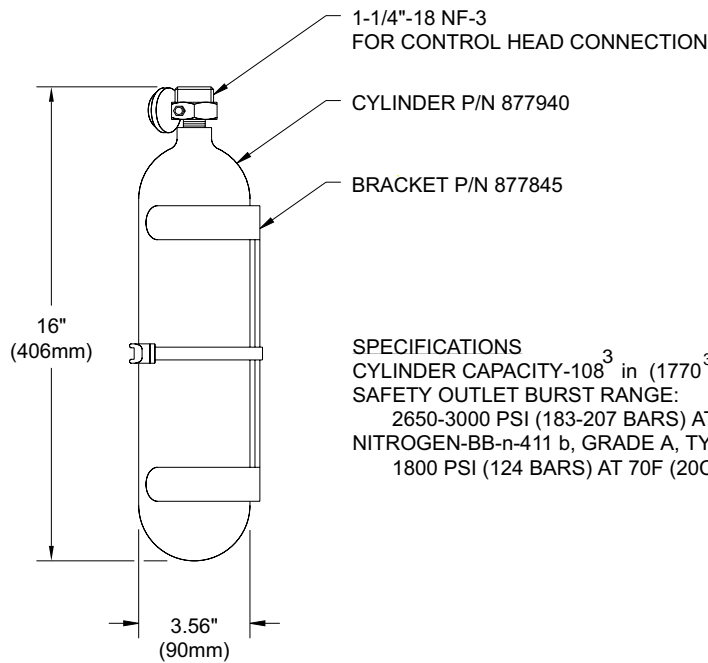
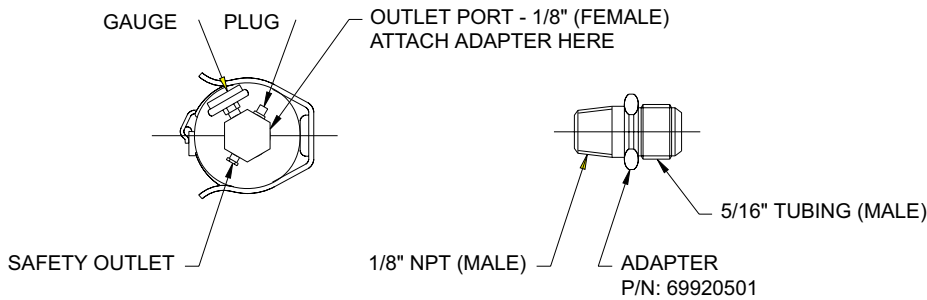


FE-13 Component Description

Effective: July 1999

N2 Pilot Cylinder, Bracket, and Adapter

K-96-3020



MATERIALS

CYLINDER: STEEL, PAINTED BLACK

VALVE: BRASS

BRACKET: STEEL, PAINTED BLACK

ADAPTER: BRASS

This literature is provided for informational purposes only. KIDDE-FENWAL, INC. assumes no responsibility for the product's suitability for a particular application. The product must be properly applied to perform as described herein.

If you need more information on this product, or if you have a question, contact KIDDE-FENWAL, INC., Ashland, MA 01721. (508) 881-2000.

K-96-3020 7/99 ©1999 Kidde-Fenwal, Inc. Printed in U.S.A.

 **KIDDE**[®]
Fire Systems

KIDDE-FENWAL, INC.
400 MAIN STREET, ASHLAND, MA 01721
TEL: (508) 881-2000 FAX: (508) 881-8920