

FM-200 Component Description

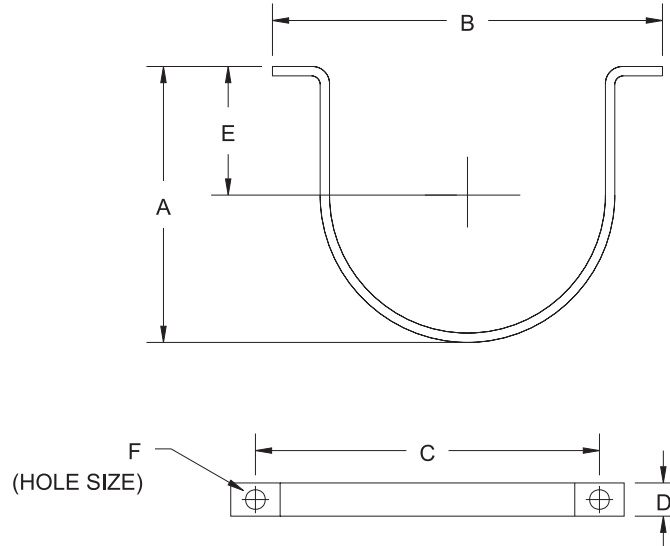
Effective: April 1999

Cylinder Mounting Straps

K-90-8130

Features

- For use with UL listed, ULC listed & FMRC approved systems



PART NO.	CYL SIZE	CYL O.D.*	A*	B*	C*	D*	E*	F*
283945	10,20	7.07	6.48	9.62	8.62	1.00	2.78	.437
283934	40,70	9.00	8.16	11.69	10.69	1.00	3.50	.437
235317	125,200	12.75	12.93	16.18	14.56	1.75	5.59	.625
292971	200 pre3/98	13.60	13.09	17.06	15.44	1.75	6.06	.625
281866	350	16.00	15.50	19.50	17.88	1.75	7.25	.625
294651	600	22.00	21.56	25.75	24.12	1.75	10.25	.625

* DIMENSIONS ARE IN INCHES

MATERIAL: STEEL, PAINTED BLACK SAE 1020

This literature is provided for informational purposes only. KIDDE-FENWAL, INC. assumes no responsibility for the product's suitability for a particular application. The product must be properly applied to perform as described herein.

If you need more information on this product, or if you have a question, contact KIDDE-FENWAL, INC., Ashland, MA 01721. (508) 881-2000.

K-90-8130 4/99 ©1999 Kidde-Fenwal, Inc. Printed in U.S.A.

KIDDE[®]
Fire Systems

KIDDE-FENWAL, INC.
400 MAIN STREET, ASHLAND, MA 01721
TEL: (508) 881-2000 FAX: (508) 881-8920