

FM-200 Component Description

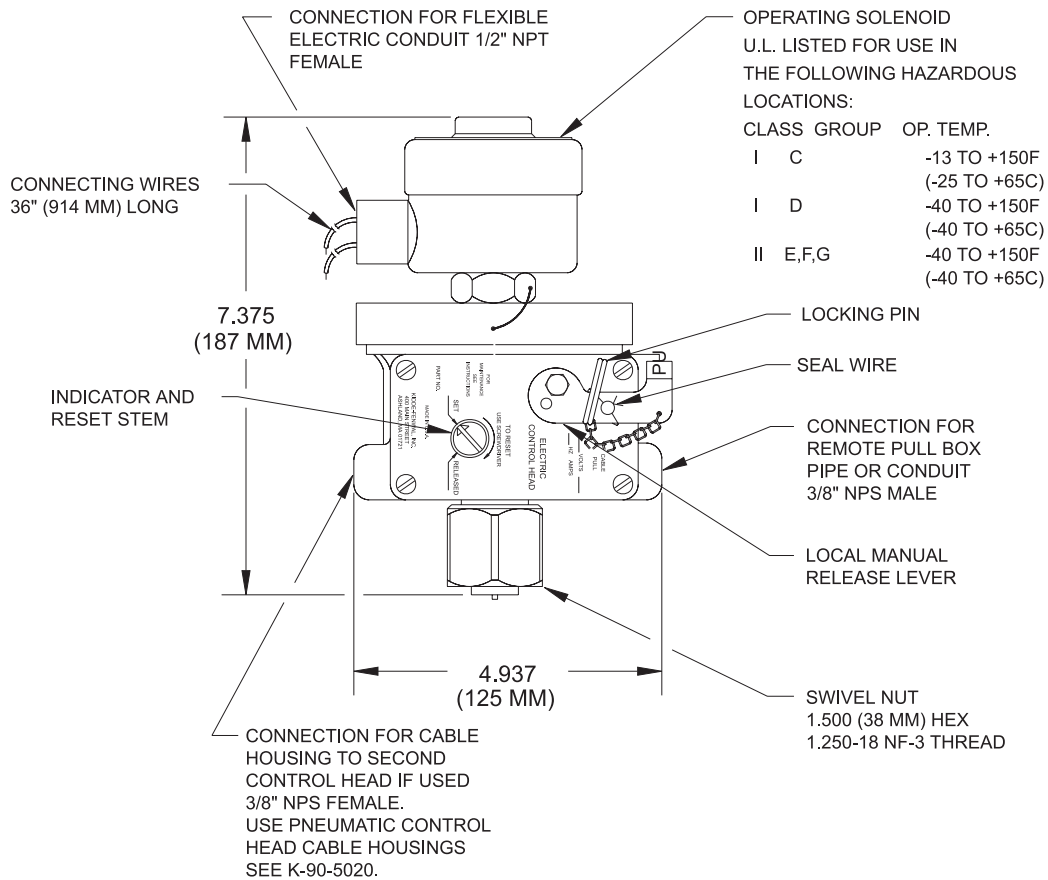
Effective: April 1999

Electric and Cable Operated Control Head with Explosion Proof Solenoid

K-90-8040

Features

- For use with UL listed, UIC listed & FMRC approved systems



PART NUMBER	CONTROL HEAD	
	VOLTAGE	POWER CONSUMPTION
897494	24 VDC	33 WATTS
897560	120 VAC	15.4 WATTS

This literature is provided for informational purposes only. KIDDE-FENWAL, INC. assumes no responsibility for the product's suitability for a particular application. The product must be properly applied to perform as described herein.

If you need more information on this product, or if you have a question, contact KIDDE-FENWAL, INC., Ashland, MA 01721. (508) 881-2000.

K-90-8040 4/99 ©1999 Kidde-Fenwal, Inc. Printed in U.S.A.

KIDDE[®]
Fire Systems

KIDDE-FENWAL, INC.
400 MAIN STREET, ASHLAND, MA 01721
TEL: (508) 881-2000 FAX: (508) 881-8920