

FM-200 Component Description

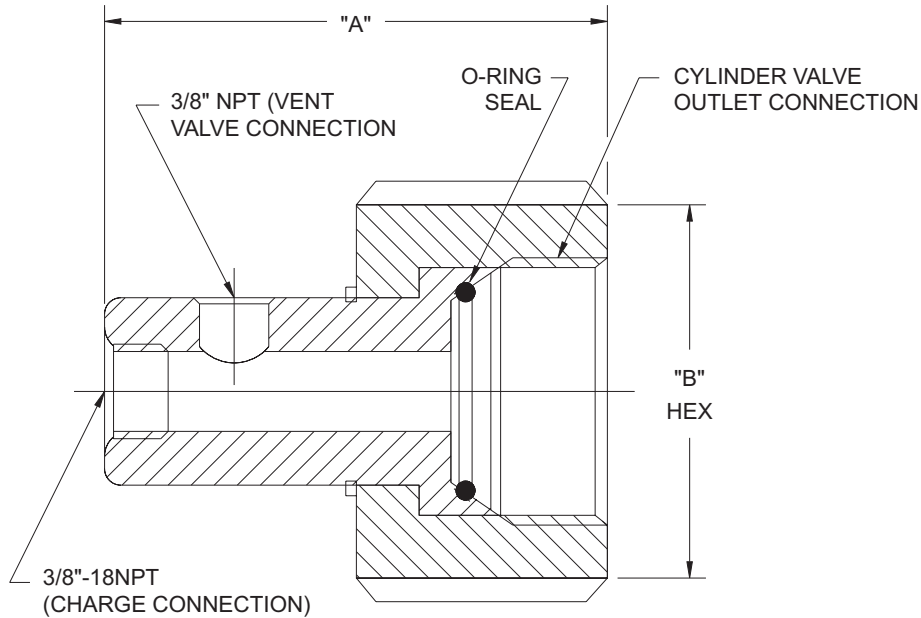
Effective: April 1999

Cylinder Recharge Adapters

K-90-7145

Features

- For use with UL listed, ULC listed & FMRC approved systems
- See KIDDE Manual 90-FM200M-021 for USCG approval



P/N	FM-200	FE-13	A*	B*
	CYL. SIZE (LB)	CYL. SIZE (LB)		
878757	10-125	56-112	3.22	2.50
878758	200, 350	-	4.06	3.25
878759	600	-	4.00	3.62

* DIMENSIONS ARE IN INCHES

MATERIAL: ZINC PLATED STEEL

This literature is provided for informational purposes only. KIDDE-FENWAL, INC. assumes no responsibility for the product's suitability for a particular application. The product must be properly applied to perform as described herein.

If you need more information on this product, or if you have a question, contact KIDDE-FENWAL, INC., Ashland, MA 01721. (508) 881-2000.

K-90- 4/99 ©1999 Kidde-Fenwal, Inc. Printed in U.S.A.

KIDDE[®]
Fire Systems

KIDDE-FENWAL, INC.
400 MAIN STREET, ASHLAND, MA 01721
TEL: (508) 881-2000 FAX: (508) 881-8920