

# FM-200 Component Description

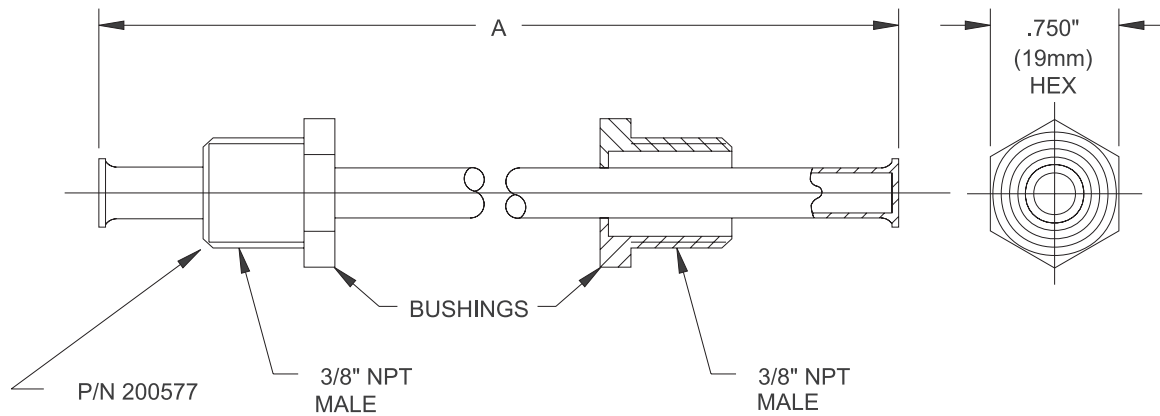
Effective: April 1999

## Cable Housings for Pneumatic Control Heads

K-90-7020M

### Features

- For use in marine applications only



PART NUMBER	CYLINDERS USED WITH		CYLINDER CENTERS		"A" DIMENSION	
	LBS	KG	IN	mm	IN	mm
MARINE C0 2						
840044	50	22.6	9.5	241	4.68	119
FM-200						
844481	125-200	56.7-90.7	15.0	381	10.18	259
844515	350	158.7	18.0	457	13.18	335
844733	600	272.1	24.0	610	19.18	487

### MATERIALS

**TUBING: BRASS, .312" (8MM) O.D.x .025" (0.6MM)**

**WALL, ZINC PLATED**

**BRUSHING: BRASS, ZINC PLATED**

This literature is provided for informational purposes only. KIDDE-FENWAL, INC. assumes no responsibility for the product's suitability for a particular application. The product must be properly applied to perform as described herein.

If you need more information on this product, or if you have a question, contact KIDDE-FENWAL, INC., Ashland, MA 01721. (508) 881-2000.

K-90-7020M 4/99 ©1999 Kidde-Fenwal, Inc. Printed in U.S.A.

**KIDDE®**  
**Fire Systems**

KIDDE-FENWAL, INC.  
400 MAIN STREET, ASHLAND, MA 01721  
TEL: (508) 881-2000 FAX: (508) 881-8920