

FM-200 Component Description

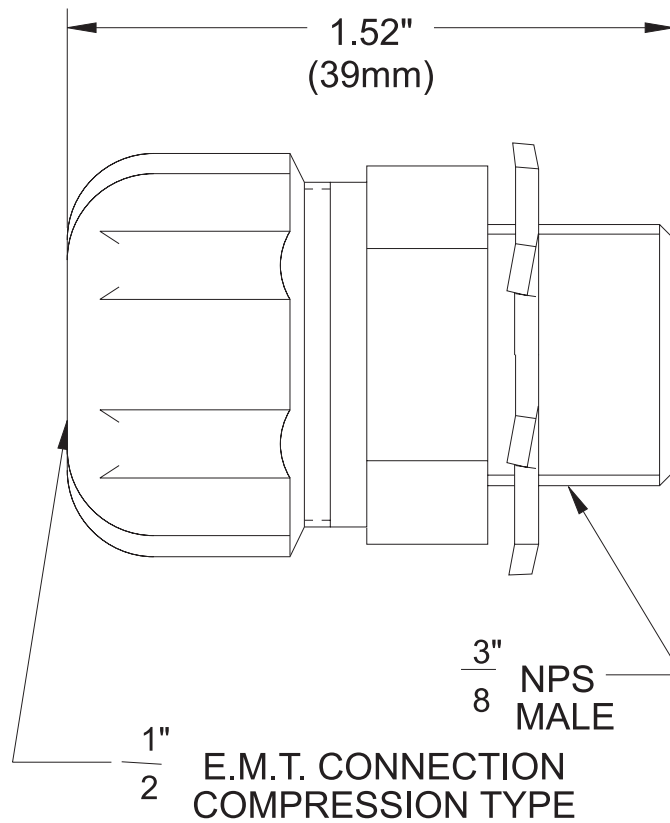
Effective: April 1999

Adapter, 3/8" Pipe (Male) to 1/2" EMT (Female)

K-90-6120

Features

- For use with UL listed, ULC listed & FMRC approved systems



MATERIAL: ZINC PLATED STEEL

P/N: 843837

This literature is provided for informational purposes only. KIDDE-FENWAL, INC. assumes no responsibility for the product's suitability for a particular application. The product must be properly applied to perform as described herein.

If you need more information on this product, or if you have a question, contact KIDDE-FENWAL, INC., Ashland, MA 01721. (508) 881-2000.

K-90-6120 4/99 ©1999 Kidde-Fenwal, Inc. Printed in U.S.A.

 **KIDDE**[®]
Fire Systems

KIDDE-FENWAL, INC.
400 MAIN STREET, ASHLAND, MA 01721
TEL: (508) 881-2000 FAX: (508) 881-8920

 **KIDDE**[®] Fire Systems