

# FM-200 Component Description

Effective: April 1999

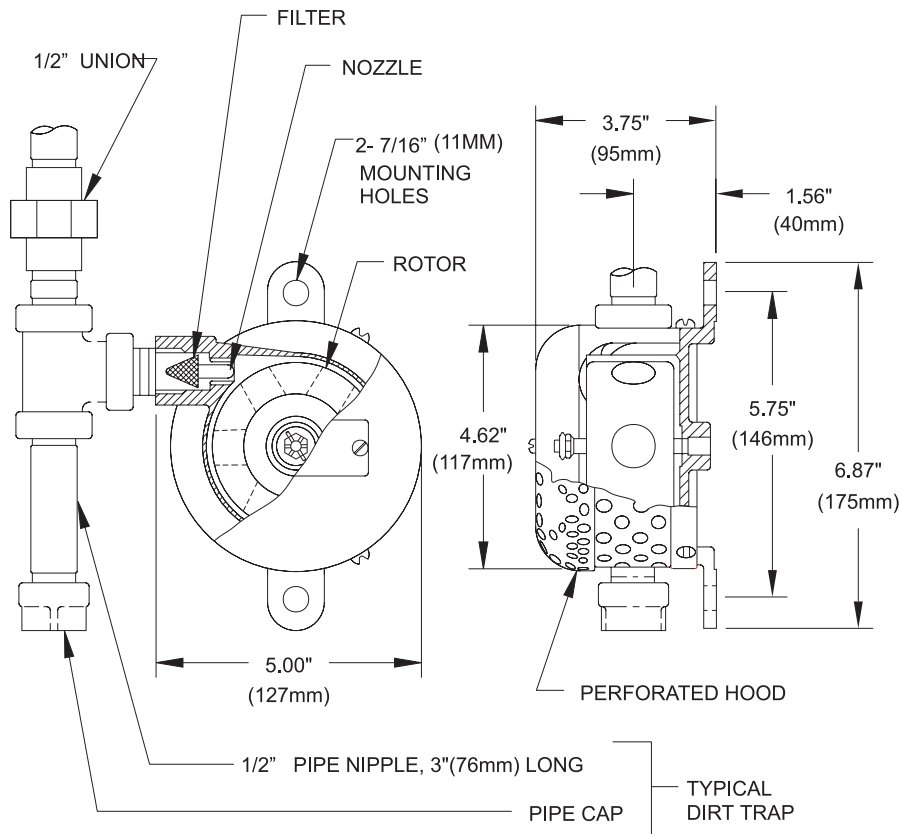
K-90-5220M

## Pressure Operated Siren

### Features

• See KIDDE Manual 90-FM200M-021 for USCG approval

• For use in marine applications only



### MATERIALS

**BODY: BRONZE**

**ROTOR: BRASS**

**NOZZLE AND FILTER: MONEL**

**HOOD: STEEL FINISH: RED PAINT**

NOMINAL FLOW RATE AT 70F	
AGENT	FLOWRATE
CARBON DIOXIDE	20.4 LBS/MIN
HALON 1301	21.2 LBS/MIN

P/N: 981574

This literature is provided for informational purposes only. KIDDE-FENWAL, INC. assumes no responsibility for the product's suitability for a particular application. The product must be properly applied to perform as described herein.

If you need more information on this product, or if you have a question, contact KIDDE-FENWAL, INC., Ashland, MA 01721. (508) 881-2000.

K-90-5220M 4/99 ©1999 Kidde-Fenwal, Inc. Printed in U.S.A.

**KIDDE**<sup>®</sup>  
**Fire Systems**

KIDDE-FENWAL, INC.  
400 MAIN STREET, ASHLAND, MA 01721  
TEL: (508) 881-2000 FAX: (508) 881-8920