

FM-200 Component Description

Effective: April 1999

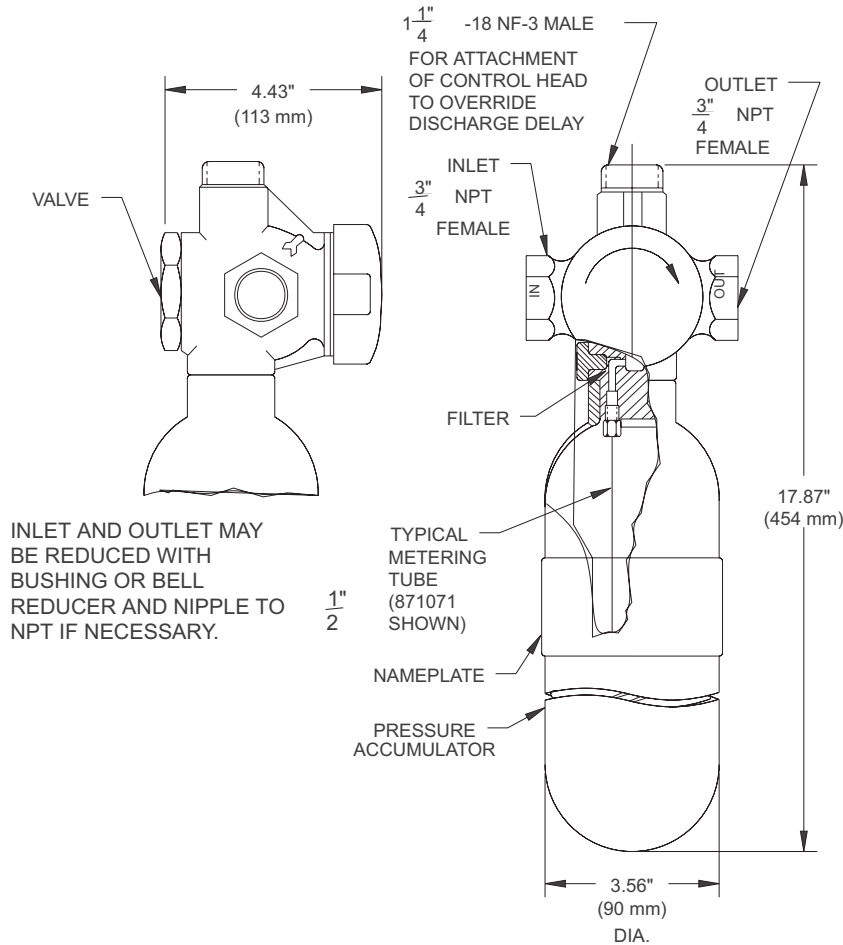
Discharge Delays

K-90-5210M

Features

• See KIDDE Manual 90-FM200M-021 for USCG approval

• For use in marine applications only



MATERIALS

PRESSURE ACCUMULATOR: STEEL
METERING TUBE: STAINLESS STEEL
VALVE BODY: BRASS
FINISH: RED PAINT

PART NUMBER	AGENT	NOMINAL DELAY TIME APPROX.	TYPE OF METERING TUBE
871071	CO ₂	30	CURLED
897636	CO ₂	60	CURLED

This literature is provided for informational purposes only. KIDDE-FENWAL, INC. assumes no responsibility for the product's suitability for a particular application. The product must be properly applied to perform as described herein.

If you need more information on this product, or if you have a question, contact KIDDE-FENWAL, INC., Ashland, MA 01721. (508) 881-2000.

K-90-5210M 4/99 ©1999 Kidde-Fenwal, Inc. Printed in U.S.A.

KIDDE
Fire Systems

KIDDE-FENWAL, INC.
 400 MAIN STREET, ASHLAND, MA 01721
 TEL: (508) 881-2000 FAX: (508) 881-8920