

FM-200 Component Description

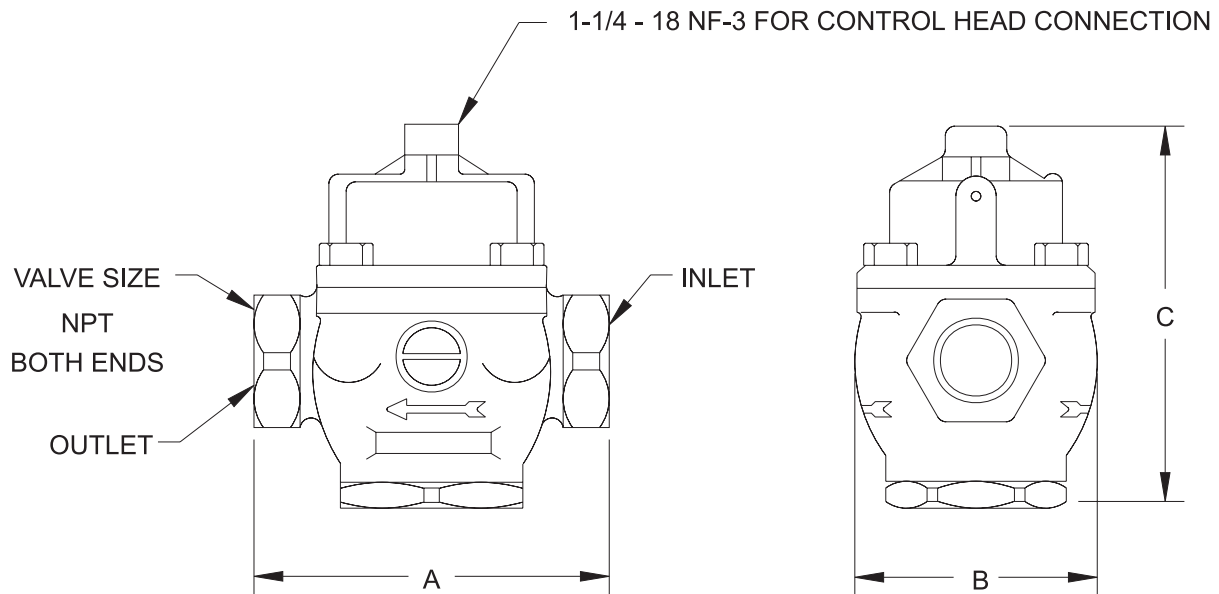
Effective: April 1999

K-90-5130

Stop (Directional) Valves, 1/2" Thru 2"

Features

- See KIDDE Manual 90-FM200M-021 for USCG approval



PART NUMBER	VALVE SIZE NPT	A		B		C	
		IN	MM	IN	MM	IN	MM
870023	1/2"	3.75	95	2.5	64	4.68	119
870022	3/4"	4.25	108	2.81	71	5.68	144
870122	1"	5.5	140	3.62	92	6.87	175
870032	1-1/4"	5.5	140	3.62	92	6.87	175
870123	1-1/2"	7.5	191	4.75	121	8.43	214
870049	2"	7.5	191	4.75	121	8.43	214

MATERIALS BODY: BRASS

NOTES:

1. VALVE MUST BE INSTALLED WITH ARROW POINTING IN DIRECTION OF FLOW.
2. VALVE MAY BE INSTALLED IN HORIZONTAL OR VERTICAL PIPE RUN.

This literature is provided for informational purposes only. KIDDE-FENWAL, INC. assumes no responsibility for the product's suitability for a particular application. The product must be properly applied to perform as described herein.

If you need more information on this product, or if you have a question, contact KIDDE-FENWAL, INC., Ashland, MA 01721. (508) 881-2000.

K-90-5130 4/99 ©1999 Kidde-Fenwal, Inc. Printed in U.S.A.

KIDDE[®]
Fire Systems

KIDDE-FENWAL, INC.
400 MAIN STREET, ASHLAND, MA 01721
TEL: (508) 881-2000 FAX: (508) 881-8920