

# FM-200 Component Description

Effective: April 1999

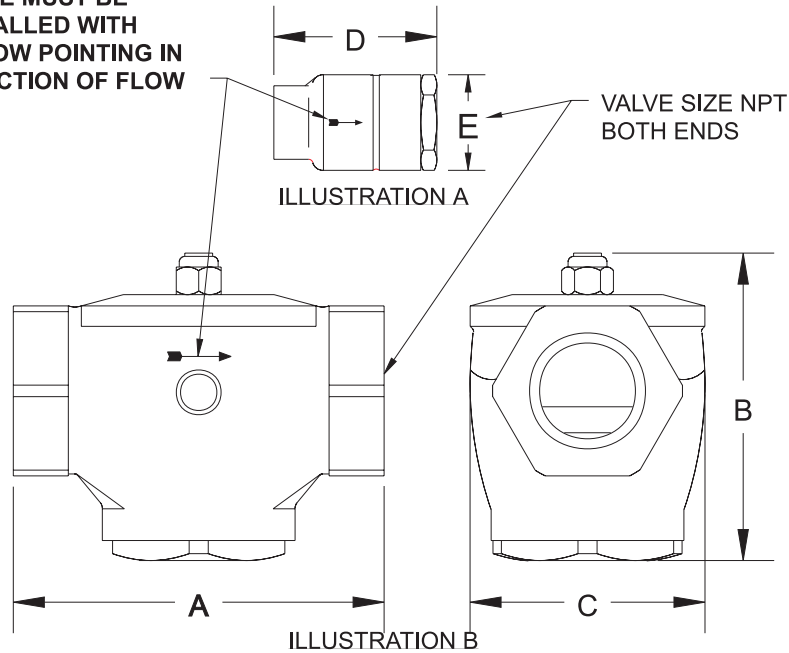
K-90-5110

## Check Valves, 1/2" Thru 2"

### Features

- For use with UL listed, ULC listed & FMRC approved systems • See KIDDE Manual 90-FM200M-021 for USCG approval

VALVE MUST BE  
INSTALLED WITH  
ARROW POINTING IN  
DIRECTION OF FLOW



VALVE SIZE NPT  
BOTH ENDS

PART NUMBER	VALVE SIZE	ILLUSTRATION	A		B		C		D		E	
			IN	mm	IN	mm	IN	mm	IN	mm	IN	mm
800327	1/2"	A	-	-	-	-	-	-	3.34	85	2.00	51
800266	3/4"	A	-	-	-	-	-	-	3.34	85	2.00	51
800443	1"	A	-	-	-	-	-	-	3.97	101	3.18	81
800444	1-1/4"	A	-	-	-	-	-	-	3.97	101	3.18	81
870152	1-1/2"	B	7.50	151	6.28	160	4.75	121	-	-	-	-
870151	2"	B	7.50	151	6.28	160	4.75	121	-	-	-	-

**MATERIAL: BRASS**

**VALVE MUST BE INSTALLED WITH ARROW POINTING IN DIRECTION OF FLOW**

This literature is provided for informational purposes only. KIDDE-FENWAL, INC. assumes no responsibility for the product's suitability for a particular application. The product must be properly applied to perform as described herein.

If you need more information on this product, or if you have a question, contact KIDDE-FENWAL, INC., Ashland, MA 01721. (508) 881-2000.

K-90-5110 4/99 ©1999 Kidde-Fenwal, Inc. Printed in U.S.A.

**KIDDE®**  
**Fire Systems**

KIDDE-FENWAL, INC.  
400 MAIN STREET, ASHLAND, MA 01721  
TEL: (508) 881-2000 FAX: (508) 881-8920