

# FM-200 Component Description

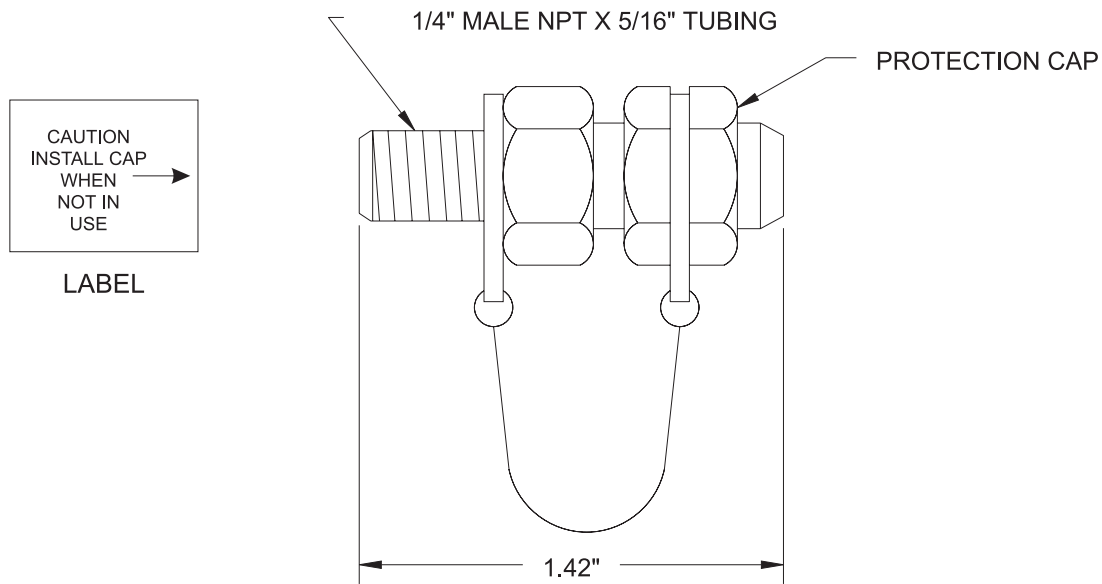
Effective: April 1999

## Master Cylinder Adapter Kit

K-90-5080

### Features

- For use with UL listed, ULC listed & FMRC approved systems
- See KIDDE Manual 90-FM200M-021 for USCG approval



### MATERIALS

**ADAPTER & CAP: BRASS**  
**CHAIN: STAINLESS STEEL**  
**LABEL: MYLAR**

P/N: 844895

This literature is provided for informational purposes only. KIDDE-FENWAL, INC. assumes no responsibility for the product's suitability for a particular application. The product must be properly applied to perform as described herein.

If you need more information on this product, or if you have a question, contact KIDDE-FENWAL, INC., Ashland, MA 01721. (508) 881-2000.

K-90-5080 4/99 ©1999 Kidde-Fenwal, Inc. Printed in U.S.A.

 **KIDDE**<sup>®</sup>  
**Fire Systems**

KIDDE-FENWAL, INC.  
400 MAIN STREET, ASHLAND, MA 01721  
TEL: (508) 881-2000 FAX: (508) 881-8920