

FM-200 Component Description

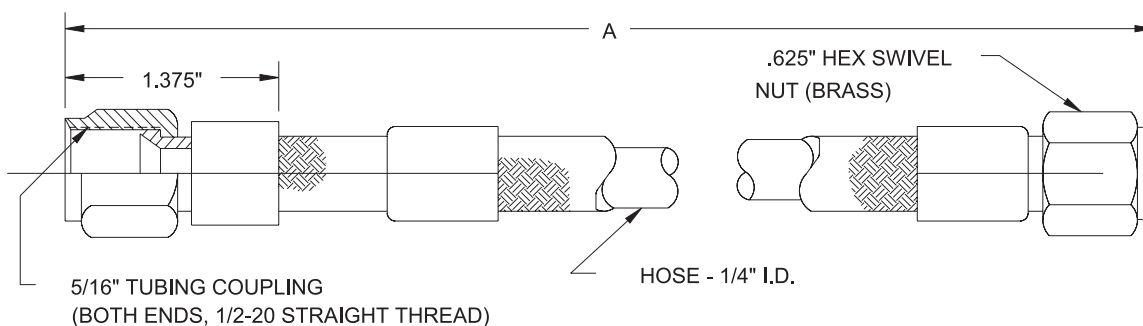
Effective: April 1999

1/4" Flexible Actuation Hoses

K-90-5070

Features

- For use with UL listed, ULC listed & FMRC approved systems
- See KIDDE Manual 90-FM200M-021 for USCG approval



PART NO.	A*
264986	30
264987	22

* DIMENSIONS ARE IN INCHES

MATERIALS

HOSE: WIRE BRAIDED, TEFLON LINING (CRES T304)

COUPLINGS: BRASS

MINIMUM BURST PRESSURE: 12,000 PSIG

OPERATING PRESSURE: 3000 PSIG

TEST PRESSURE: 4500 PSIG

MINIMUM BEND RADIUS 2.5"

P/N: 26498x

This literature is provided for informational purposes only. KIDDE-FENWAL, INC. assumes no responsibility for the product's suitability for a particular application. The product must be properly applied to perform as described herein.

If you need more information on this product, or if you have a question, contact KIDDE-FENWAL, INC., Ashland, MA 01721. (508) 881-2000.

K-90-5070 4/99 ©1999 Kidde-Fenwal, Inc. Printed in U.S.A.

 **KIDDE**[®]
Fire Systems

KIDDE-FENWAL, INC.
400 MAIN STREET, ASHLAND, MA 01721
TEL: (508) 881-2000 FAX: (508) 881-8920