

FM-200 Component Description

Effective: April 1999

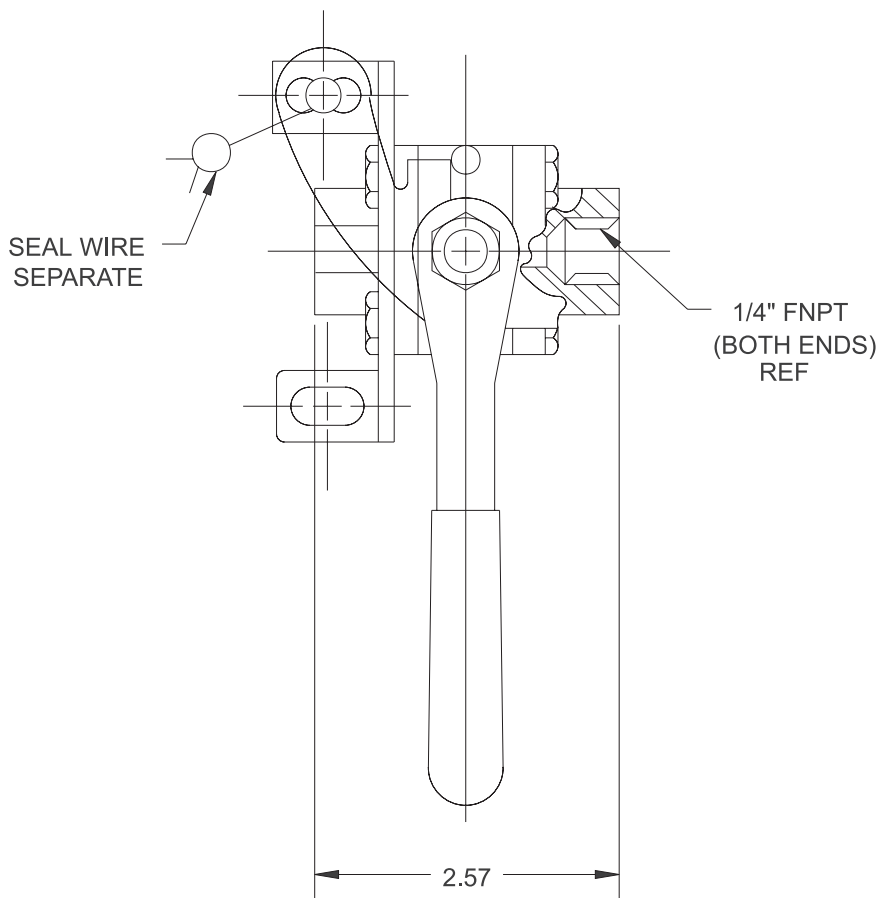
Ball Valve, 1/4"

K-90-5060M

Features

• See KIDDE Manual 90-FM200M-021 for USCG approval

• For use in marine applications only



MATERIAL: STAINLESS STEEL, TYPE 316
OPERATING PRESSURE: 3000 PSIG @ 170F
MINIMUM BURSTING PRESSURE: 1000 PSI (680 BAR)

P/N: 283888

This literature is provided for informational purposes only. KIDDE-FENWAL, INC. assumes no responsibility for the product's suitability for a particular application. The product must be properly applied to perform as described herein.

If you need more information on this product, or if you have a question, contact KIDDE-FENWAL, INC., Ashland, MA 01721. (508) 881-2000.

K-90-5060M 4/99 ©1999 Kidde-Fenwal, Inc. Printed in U.S.A.

 **KIDDE**[®]
Fire Systems

KIDDE-FENWAL, INC.
400 MAIN STREET, ASHLAND, MA 01721
TEL: (508) 881-2000 FAX: (508) 881-8920

 **KIDDE**[®] Fire Systems