

# FM-200 Component Description

Effective: April 1999

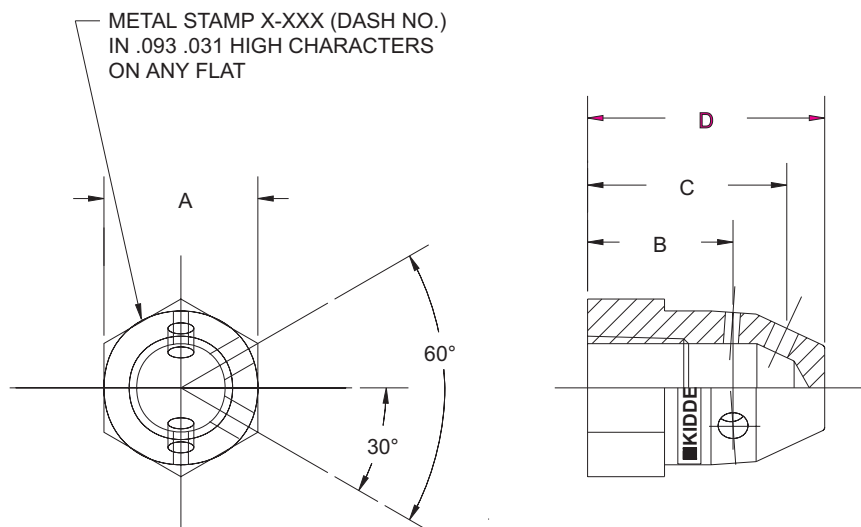
## 180 Degree Pendant Nozzle

K-90-2150

### Features

• For use with UL listed, ULC listed & FMRC approved systems

• See KIDDE Manual 90-FM200M-021 for USCG approval



180 DEGREE NOZZLE				
Pipe Size	A	B	C	D
1/2" (12.20mm)	1.250" (31.75mm)	1.250" (31.75mm)	1.687" (42.84mm)	2.000" (50.80mm)
3/4" (19.05mm)	1.500" (38.10mm)	1.375" (34.92mm)	1.950" (48.89mm)	2.296" (58.31mm)
1" (25.40mm)	1.750" (44.45mm)	1.562" (39.67mm)	2.218" (56.33mm)	2.671" (67.84mm)
1-1/4" (31.75mm)	2.250" (57.15mm)	1.750" (44.45mm)	2.656" (67.46mm)	3.250" (82.55mm)
1-1/2" (38.10mm)	2.250" (63.50mm)	1.950" (48.89mm)	2.950" (74.93mm)	3.625" (92.07mm)
2" (50.80mm)	3.000" (76.20mm)	1.968" (49.98mm)	2.875" (73.02mm)	3.656" (92.86mm)

**A SELECTION OF ORIFICES ARE AVAILABLE FOR EACH NOZZLE SIZE. CONSULT YOUR KIDDE DESIGN AND INSTALLATION MANUAL FOR DETAILS**

P/N: 90-19401X-XXX

This literature is provided for informational purposes only. KIDDE-FENWAL, INC. assumes no responsibility for the product's suitability for a particular application. The product must be properly applied to perform as described herein.

If you need more information on this product, or if you have a question, contact KIDDE-FENWAL, INC., Ashland, MA 01721. (508) 881-2000.

K-90-2150 4/99 ©1999 Kidde-Fenwal, Inc. Printed in U.S.A.

**KIDDE**<sup>®</sup>  
Fire Systems

KIDDE-FENWAL, INC.  
400 MAIN STREET, ASHLAND, MA 01721  
TEL: (508) 881-2000 FAX: (508) 881-8920