

FM-200 Component Description

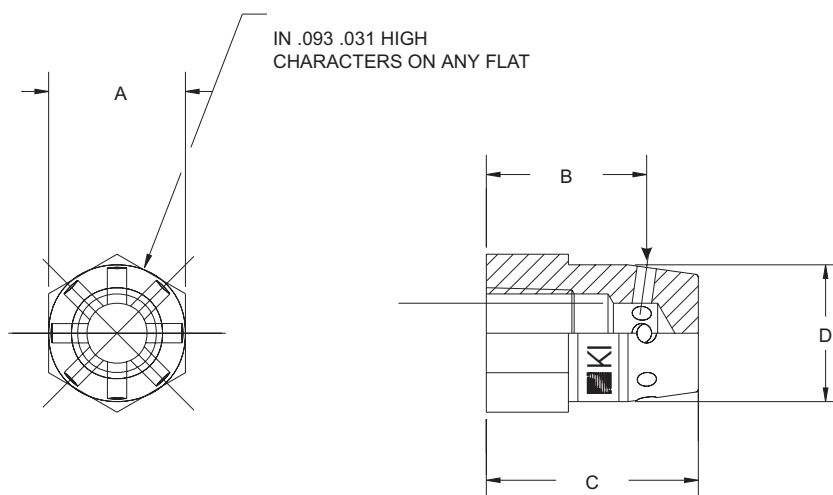
Effective: April 1999

360 Degree Pendant Nozzle

K-90-2140

Features

- For use with UL listed, ULC listed & FMRC approved systems
- See KIDDE Manual 90-FM200M-021 for USCG approval



360 DEGREE NOZZLE				
Pipe Size	A	B	C	D
1/2" (12.20mm)	1.250" (31.75mm)	1.468" (37.28mm)	1.937" (49.19mm)	1.250" (31.75mm)
3/4" (19.05mm)	1.500" (38.10mm)	1.578" (40.08mm)	2.125" (53.97mm)	1.500" (38.10mm)
1" (25.40mm)	1.750" (44.45mm)	1.718" (43.63mm)	2.375" (60.32mm)	1.750" (44.45mm)
1-1/4" (31.75mm)	2.250" (57.15mm)	1.950" (49.53mm)	2.750" (69.85mm)	2.250" (57.15mm)
1-1/2" (38.10mm)	2.250" (63.50mm)	2.000" (50.80mm)	2.937" (74.59mm)	2.500" (63.50mm)
2" (50.80mm)	3.000" (76.20mm)	2.062" (52.37mm)	3.125" (79.37mm)	3.000" (76.20mm)

A SELECTION OF ORIFICES ARE AVAILABLE FOR EACH NOZZLE SIZE. CONSULT YOUR KIDDE DESIGN AND INSTALLATION MANUAL FOR DETAILS

P/N: 90-19402X-XXX

This literature is provided for informational purposes only. KIDDE-FENWAL, INC. assumes no responsibility for the product's suitability for a particular application. The product must be properly applied to perform as described herein.

If you need more information on this product, or if you have a question, contact KIDDE-FENWAL, INC., Ashland, MA 01721. (508) 881-2000.

K-90- 4/99 ©1999 Kidde-Fenwal, Inc. Printed in U.S.A.

KIDDE®
Fire Systems

KIDDE-FENWAL, INC.
400 MAIN STREET, ASHLAND, MA 01721
TEL: (508) 881-2000 FAX: (508) 881-8920