

FM-200 Component Description

Effective: April 1999

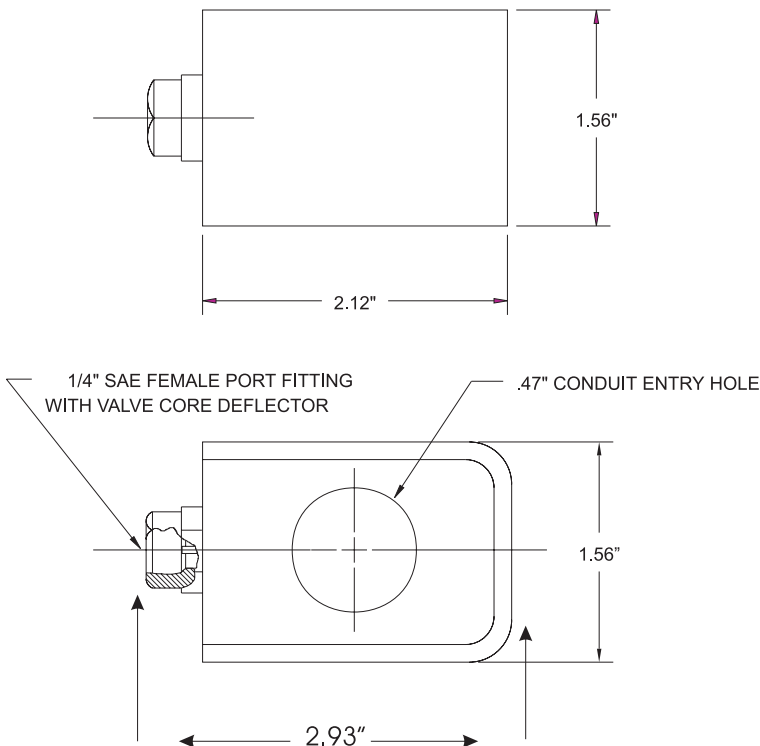
K-90-2090

Cylinder Supervisory Pressure Switch

Features

• For use with UL listed, ULC listed & FMRC approved systems

• See KIDDE Manual 90-FM200M-021 for USCG approval



ORDERING INFORMATION

OPERATION	P/N
NORMALLY CLOSED (OPEN UNDER PRESSURE)	87870900
NORMALLY OPEN (CLOSED UNDER PRESSURE)	87870901

MEMA 1 ENCLOSURE

ACTUATION PRESSURE: 320 PSI +/- 10 PSI

DEACTUATION PRESSURE: 250 PSI +/- 10 PSI

OPERATING TEMPERATURE RANGE: +30 F TO +130 F

OPERATION EXAMPLE: "NORMALLY CLOSED" DEVICE

CONTACTS ARE OPEN UNDER PRESSURE

PRESSURE LOSS GREATER THAN 40 PSI WILL CAUSE

CONTACTS TO CLOSE

ELECTRICAL RATING:

120/240/277 V-AC 375 VA

28V-AC/DC 2 AMPS

5.8 FLA-34.8 LRA @ 120 V

2.9 FLA-15 LRA @ 240 V

P/N: 8787090X

This literature is provided for informational purposes only. KIDDE-FENWAL, INC. assumes no responsibility for the product's suitability for a particular application. The product must be properly applied to perform as described herein.

If you need more information on this product, or if you have a question, contact KIDDE-FENWAL, INC., Ashland, MA 01721. (508) 881-2000.

K-90-2090 4/99 ©1999 Kidde-Fenwal, Inc. Printed in U.S.A.

 **KIDDE**[®]
Fire Systems

KIDDE-FENWAL, INC.
400 MAIN STREET, ASHLAND, MA 01721
TEL: (508) 881-2000 FAX: (508) 881-8920

 **KIDDE**[®] Fire Systems