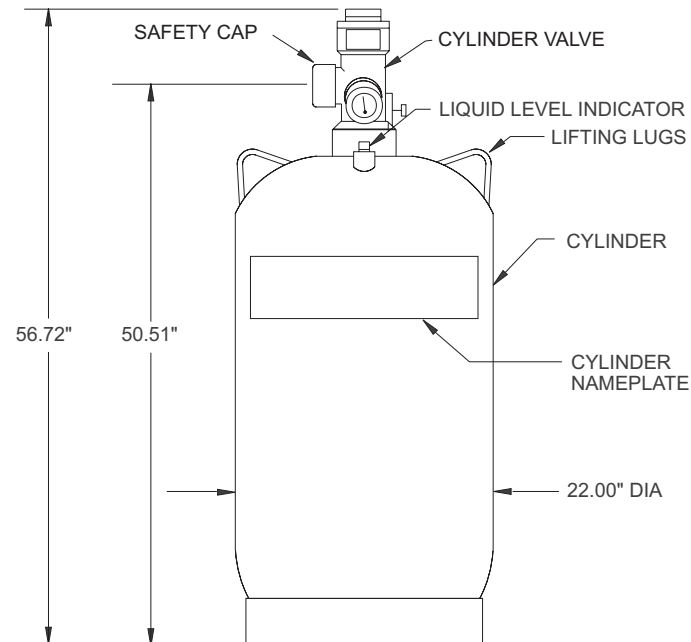
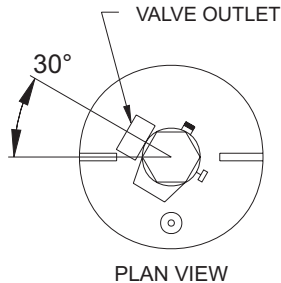


FM-200 Component Description

Effective: April 1999

K-90-2060

Cylinder and Valve Assembly 600 LB. (272.1 KG.) Capacity



NOTES:

1. THE SAFETY CAP MUST BE INSTALLED ON THE VALVE OUTLET AT ALL TIMES EXCEPT WHEN THE CYLINDERS ARE CONNECTED TO THE SYSTEM PIPING OR BEING FILLED. THE SAFETY CAP MUST NOT BE REMOVED FROM ITS CHAIN.
2. SEE K-90-2070 FOR ADDITIONAL INFORMATION.

MATERIALS

VALVE BODY: BRASS

CYLINDER; STEEL, PAINTED RED

ORDERING INFORMATION

P/N	DESCRIPTION
90-100600-001	STD
90-100601-001	W/LLI

This literature is provided for informational purposes only. KIDDE-FENWAL, INC. assumes no responsibility for the product's suitability for a particular application. The product must be properly applied to perform as described herein.

If you need more information on this product, or if you have a question, contact KIDDE-FENWAL, INC., Ashland, MA 01721. (508) 881-2000.

K-90-2060 4/99 ©1999 Kidde-Fenwal, Inc. Printed in U.S.A.



KIDDE-FENWAL, INC.
400 MAIN STREET, ASHLAND, MA 01721
TEL: (508) 881-2000 FAX: (508) 881-8920