

# FM-200 Component Description

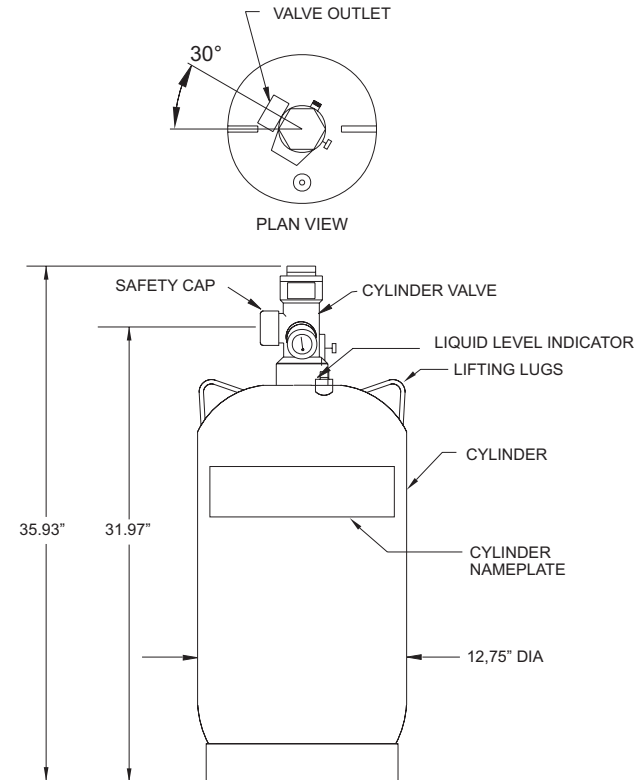
Effective: April 1999

K-90-2030

## Cylinder and Valve Assembly 125 LB (56.7 KG) Capacity

### Features

- For use with UL listed, ULC listed & FMRC approved systems



#### NOTES:

1. THE SAFETY CAP MUST BE INSTALLED ON THE VALVE OUTLET AT ALL TIMES EXCEPT WHEN THE CYLINDERS ARE CONNECTED TO THE SYSTEM PIPING OR BEING FILLED. THE SAFETY CAP MUST NOT BE REMOVED FROM ITS CHAIN.
2. SEE K-90-2020 FOR ADDITIONAL INFORMATION.

#### MATERIALS

VALVE BODY: BRASS

CYLINDER: STEEL, PAINTED RED

This literature is provided for informational purposes only. KIDDE-FENWAL, INC. assumes no responsibility for the product's suitability for a particular application. The product must be properly applied to perform as described herein.

If you need more information on this product, or if you have a question, contact KIDDE-FENWAL, INC., Ashland, MA 01721. (508) 881-2000.

K-90-2030 4/99 ©1999 Kidde-Fenwal, Inc. Printed in U.S.A.

#### ORDERING INFORMATION

P/N	DESCRIPTION
90-100121-001	W/LLI
90-100125-001	STD

P/N: 90-10012X-001

 **KIDDE**<sup>®</sup>  
Fire Systems

KIDDE-FENWAL, INC.  
400 MAIN STREET, ASHLAND, MA 01721  
TEL: (508) 881-2000 FAX: (508) 881-8920