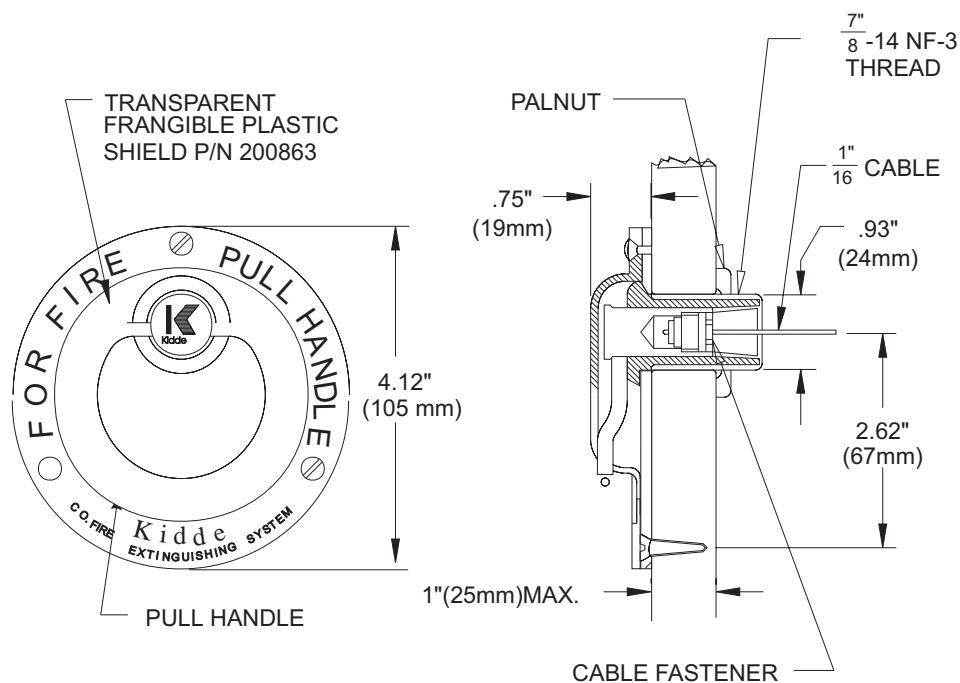


CO₂ Component Description

Effective: April 1999

K-81-6070

Flush Pull Box, Yacht Type



MATERIALS

FRANGIBLE SHIELD: LUCITE

BODY: BRASS

HANDLE STAINLES STEEL

This literature is provided for informational purposes only. KIDDE-FENWAL, INC. assumes no responsibility for the product's suitability for a particular application. The product must be properly applied to perform as described herein.

If you need more information on this product, or if you have a question, contact KIDDE-FENWAL, INC., Ashland, MA 01721. (508) 881-2000.

K-81-6070 4/99 ©1999 Kidde-Fenwal, Inc. Printed in U.S.A.

MOUNTING HARDWARE PROVIDED:

3-10-32 FLAT HEAD SCREWS - 1/2 (13 MM) LONG

3-NO. 10 FLAT HEAD WOOD SCREWS (SHOWN) 3/4" (19MM) LONG

KIDDE[®]
Fire Systems

KIDDE-FENWAL, INC.
400 MAIN STREET, ASHLAND, MA 01721
TEL: (508) 881-2000 FAX: (508) 881-8920