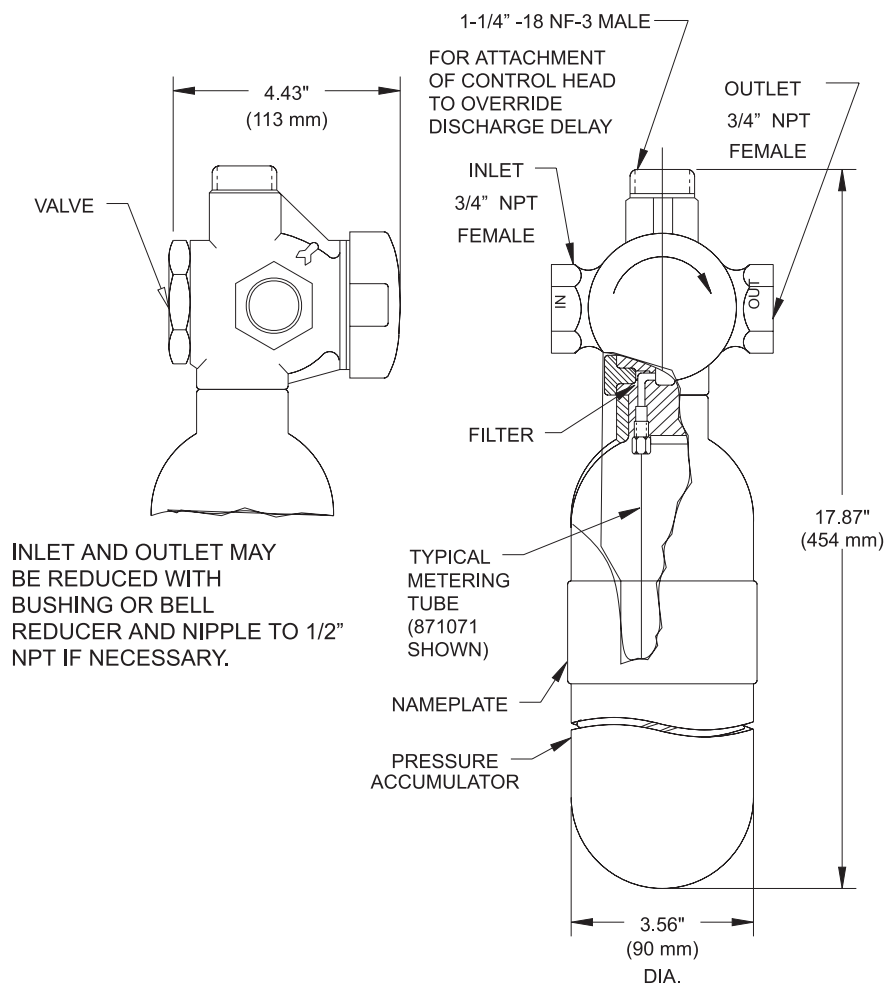


CO₂ Component Description

Effective: April 1999

K-81-5210

Discharge Delays



MATERIALS

PRESSURE ACCUMULATOR: STEEL

METERING TUBE: STAINLESS STEEL

VALVE BODY: BRASS

FINISH: RED PAINT

FRICITION LOSS: 15 EQUIVALENT FEET OF 3/4" PIPE

PART NUMBER	AGENT	NOMINAL DELAY TIME APPROX.	TYPE OF METERING TUBE
871071	CO ₂	30	CURLED
897636	CO ₂	60	CURLED
896677	360 PSI HALON 1301	25	NONE (ORIFICE ONLY)

This literature is provided for informational purposes only. KIDDE-FENWAL, INC. assumes no responsibility for the product's suitability for a particular application. The product must be properly applied to perform as described herein.

If you need more information on this product, or if you have a question, contact KIDDE-FENWAL, INC., Ashland, MA 01721. (508) 881-2000.

K-81-5210 4/99 ©1999 Kidde-Fenwal, Inc. Printed in U.S.A.

KIDDE
Fire Systems

KIDDE-FENWAL, INC.
400 MAIN STREET, ASHLAND, MA 01721
TEL: (508) 881-2000 FAX: (508) 881-8920