

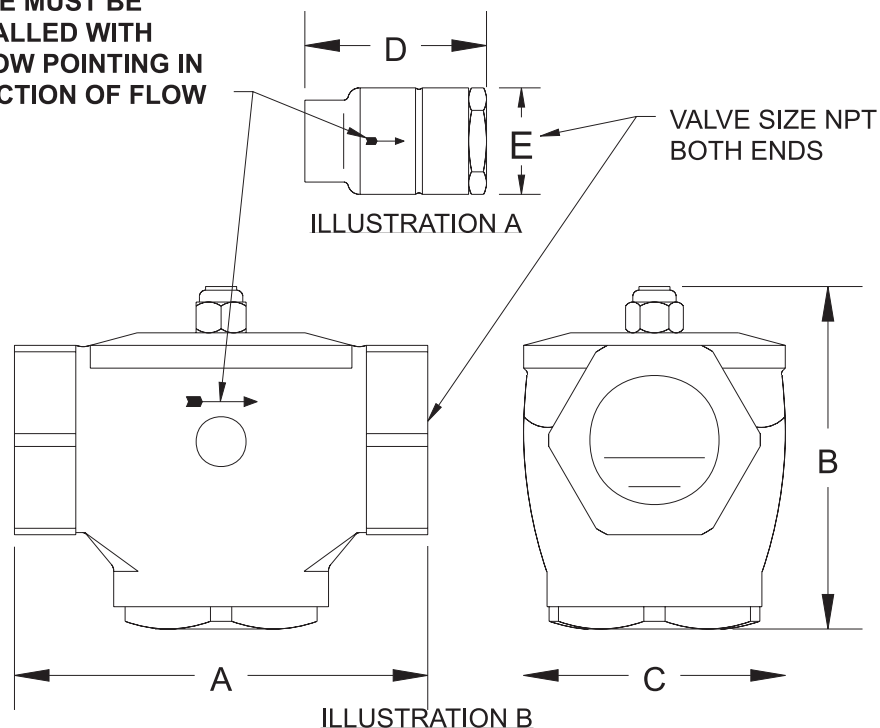
# CO<sub>2</sub> Component Description

Effective: April 1999

K-81-5110

## Check Valves, 1/2" Thru 2"

VALVE MUST BE  
INSTALLED WITH  
ARROW POINTING IN  
DIRECTION OF FLOW



PART NUMBER	VALVE SIZE	ILLUSTRATION	A		B		C		D		E	
			IN	MM	IN	MM	IN	MM	IN	MM	IN	MM
81-800327-000	1/2"	A	-	-	-	-	-	-	3.34	85	2	51
81-800266-000	3/4"	A	-	-	-	-	-	-	3.34	85	2	51
WK-800443-000	1"	A	-	-	-	-	-	-	3.97	101	3.18	81
81-800444-000	1-1/4"	A	-	-	-	-	-	-	3.97	101	3.18	81
81-870152-000	1-1/2"	B	7.5	151	6.28	160	4.75	121	-	-	-	-
81-870151-000	2"	B	7.5	151	6.28	160	4.75	121	-	-	-	-

**MATERIAL: BRASS**

This literature is provided for informational purposes only. KIDDE-FENWAL, INC. assumes no responsibility for the product's suitability for a particular application. The product must be properly applied to perform as described herein.

If you need more information on this product, or if you have a question, contact KIDDE-FENWAL, INC., Ashland, MA 01721. (508) 881-2000.

K-81-5110 4/99 ©1999 Kidde-Fenwal, Inc. Printed in U.S.A.

**KIDDE**<sup>®</sup>  
**Fire Systems**

KIDDE-FENWAL, INC.  
400 MAIN STREET, ASHLAND, MA 01721  
TEL: (508) 881-2000 FAX: (508) 881-8920