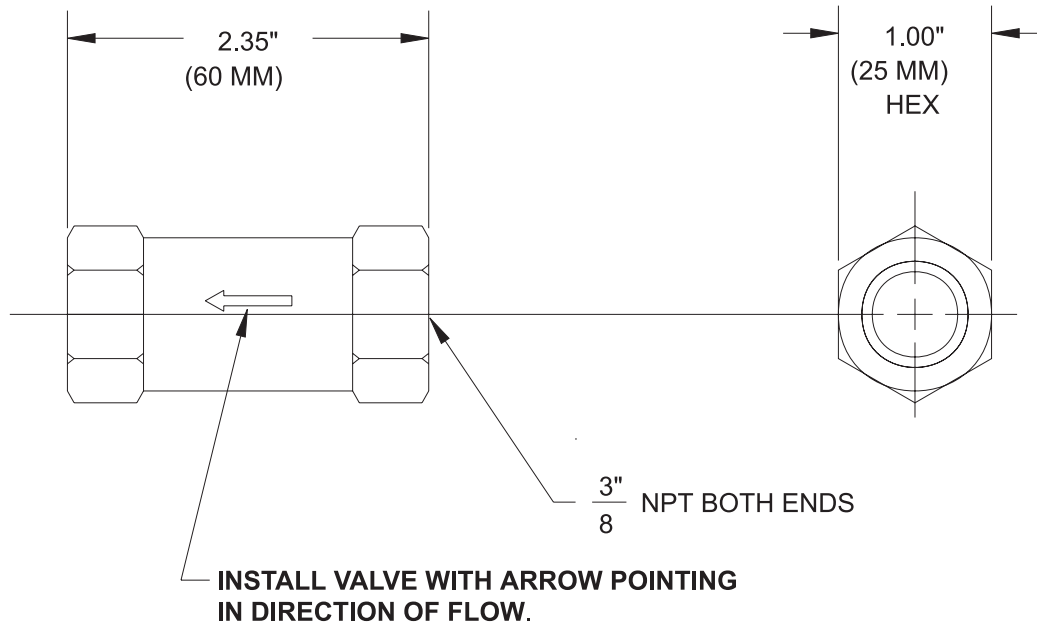


# CO<sub>2</sub> Component Description

Effective: April 1999

K-81-5100

## 3/8" Check Valve



### MATERIALS

**BODY: BRASS**

**SEAL: BUNA-N**

### TECHNICAL DATA

WORKING PRESSURE: 0 TO 5000 PSI ( 0 TO 345 BARS)

PROOF PRESSURE: 10,000 PSI (690 BARS)

CRACKING PRESSURE: 2 TO 4 PSI (.14 TO .28 BARS)

OPERATING TEMPERATURE: -40F TO 250 (-40C TO 121C)

This literature is provided for informational purposes only. KIDDE-FENWAL, INC. assumes no responsibility for the product's suitability for a particular application. The product must be properly applied to perform as described herein.

If you need more information on this product, or if you have a question, contact KIDDE-FENWAL, INC., Ashland, MA 01721. (508) 881-2000.

K-81-5100 4/99 ©1999 Kidde-Fenwal, Inc. Printed in U.S.A.

 **KIDDE**<sup>®</sup>  
**Fire Systems**

KIDDE-FENWAL, INC.  
400 MAIN STREET, ASHLAND, MA 01721  
TEL: (508) 881-2000 FAX: (508) 881-8920