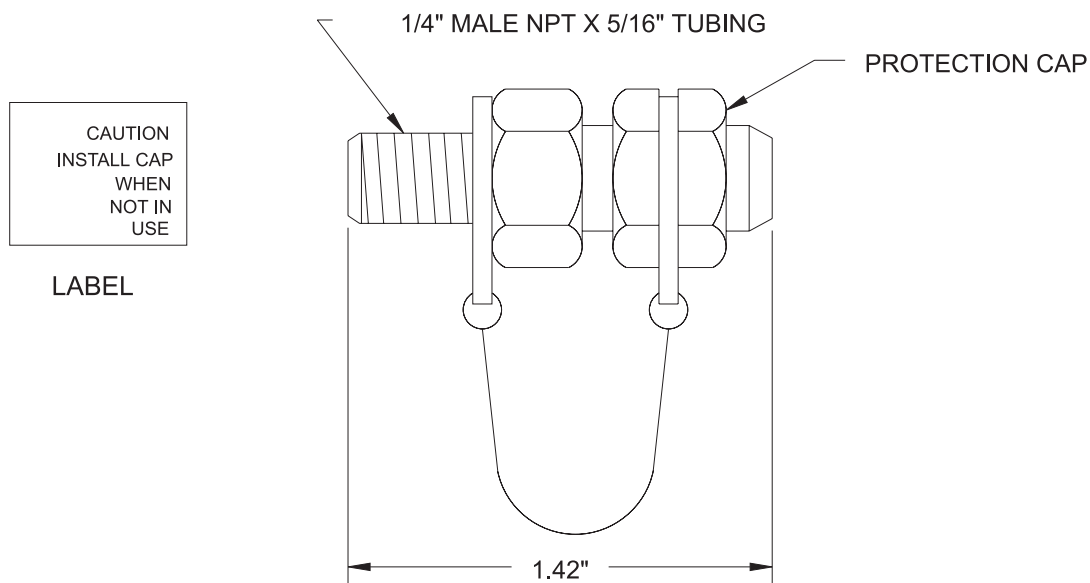


# CO<sub>2</sub> Component Description

Effective: April 1999

K-81-5080

## Master Cylinder Adapter Kit



**MATERIALS**  
**ADAPTER AND CAP: BRASS**  
**CHAIN: STAINLESS STEEL**  
**LABEL: MYLAR**

P/N: 844895

This literature is provided for informational purposes only. KIDDE-FENWAL, INC. assumes no responsibility for the product's suitability for a particular application. The product must be properly applied to perform as described herein.

If you need more information on this product, or if you have a question, contact KIDDE-FENWAL, INC., Ashland, MA 01721. (508) 881-2000.

K-81-5080 4/99 ©1999 Kidde-Fenwal, Inc. Printed in U.S.A.

 **KIDDE**<sup>®</sup>  
**Fire Systems**

KIDDE-FENWAL, INC.  
400 MAIN STREET, ASHLAND, MA 01721  
TEL: (508) 881-2000 FAX: (508) 881-8920