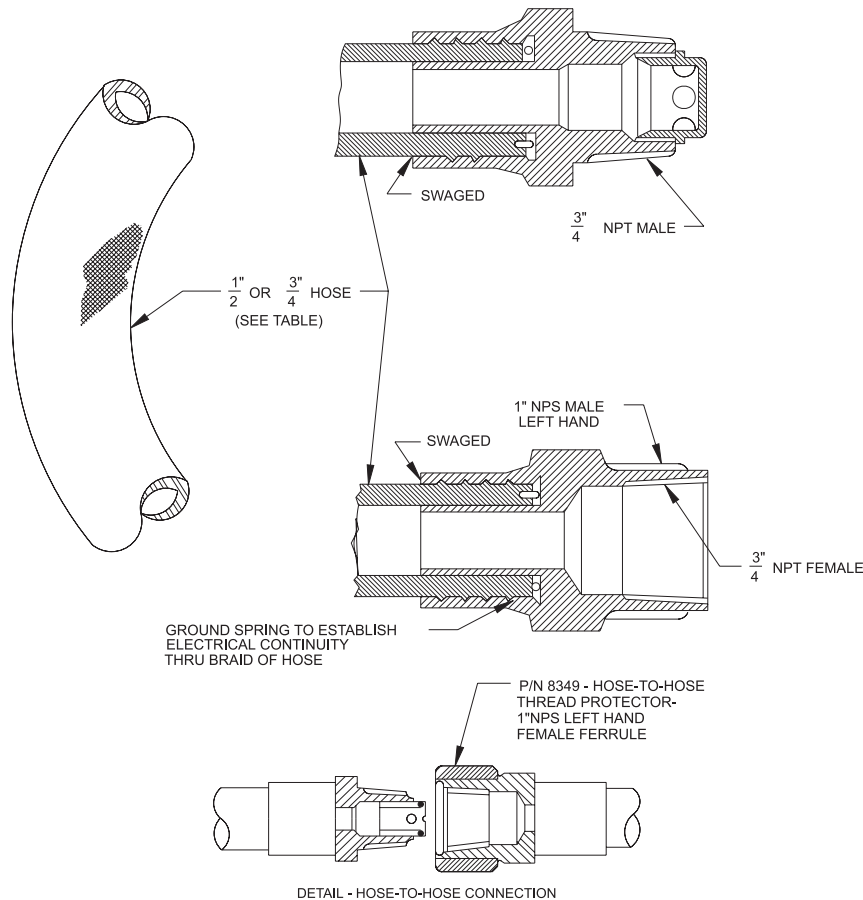


CO₂ Component Description

Effective: April 1999

K-81-1200

Hose Assembly



MATERIALS

HOSE: SYNTHETIC RUBBER WITH BRAIDED STEEL REINFORCEMENT TESTED TO 6000 PSI (414 BARS)
COUPLING BRASS

PART NUMBER	HOSE SIZE	LENGTH	
		FT	M
907757	1/2"	25	7.6
961966	1/2"	50	15.2
918990	3/4"	25	7.6
918435	3/4"	50	15.2

This literature is provided for informational purposes only. KIDDE-FENWAL, INC. assumes no responsibility for the product's suitability for a particular application. The product must be properly applied to perform as described herein.

If you need more information on this product, or if you have a question, contact KIDDE-FENWAL, INC., Ashland, MA 01721. (508) 881-2000.

K-81-1200 4/99 ©1999 Kidde-Fenwal, Inc. Printed in U.S.A.

KIDDE[®]
Fire Systems

KIDDE-FENWAL, INC.
 400 MAIN STREET, ASHLAND, MA 01721
 TEL: (508) 881-2000 FAX: (508) 881-8920