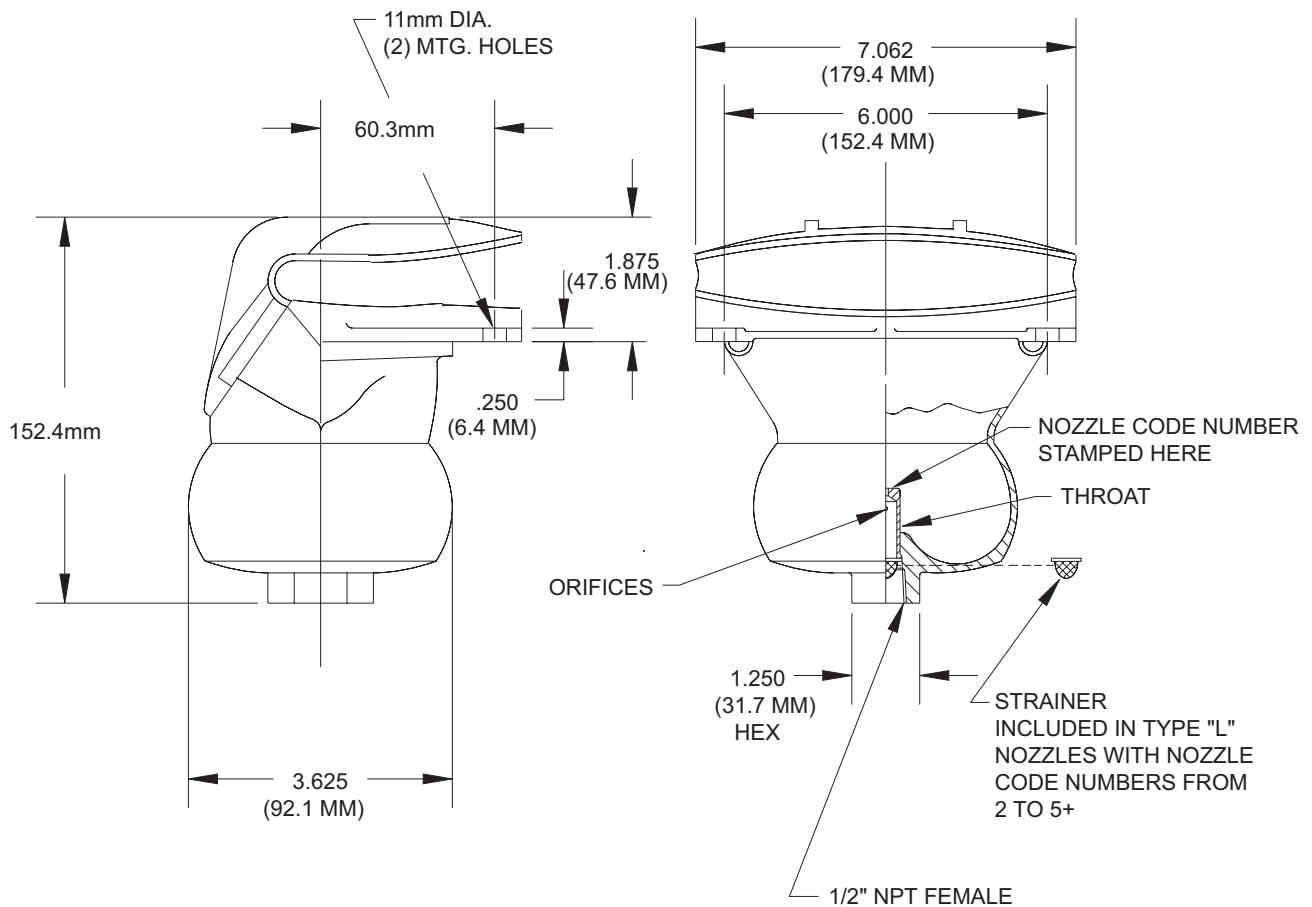


CO₂ Component Description

Effective: April 1999

K-81-1160

Multijet Nozzle, Type "L"



MATERIALS

NOZZLE: CAST IRON

THROAT: BRASS

STRAINER MONEL

FINISH:(NOZZLE ONLY) RED PAINT

P/N: SEE K-81-1170

This literature is provided for informational purposes only. KIDDE-FENWAL, INC. assumes no responsibility for the product's suitability for a particular application. The product must be properly applied to perform as described herein.

If you need more information on this product, or if you have a question, contact KIDDE-FENWAL, INC., Ashland, MA 01721. (508) 881-2000.

K-81-1160 4/99 ©1999 Kidde-Fenwal, Inc. Printed in U.S.A.

KIDDE[®]
Fire Systems

KIDDE-FENWAL, INC.
400 MAIN STREET, ASHLAND, MA 01721
TEL: (508) 881-2000 FAX: (508) 881-8920

KIDDE[®] Fire Systems