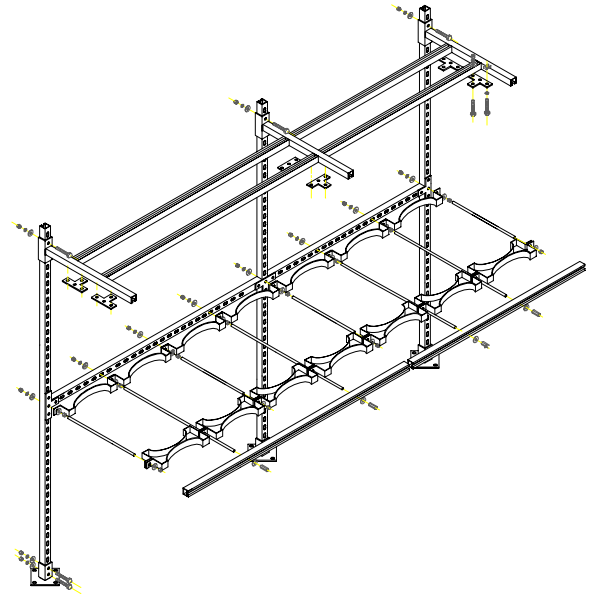
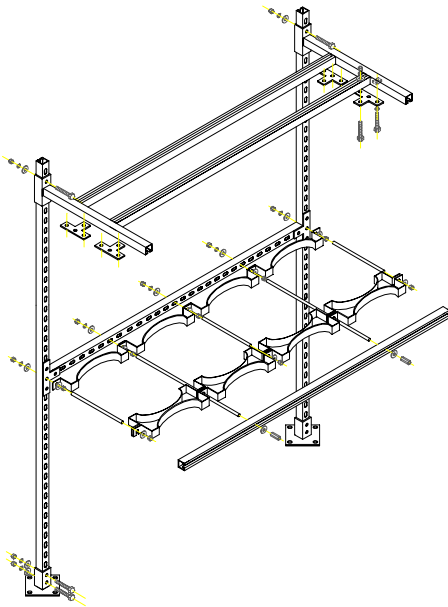


### FPS/CO<sub>2</sub> Suppression Systems

Architect and Engineering Specifications

USCG - 162.038/12/0



#### DESCRIPTION

Cylinder Rack Assemblies are designed to rigidly support CO<sub>2</sub> cylinders on multiple or main/reserve cylinder applications.

Cylinder Rack Assemblies w/ weigh rail are available in 2,3,4,5 and 6 cylinder configurations. For applications with more than 6 cylinders, "Add-on" Cylinder Rack Assemblies are available in the same 2 through 6 cylinder configurations. This will allow any combination of cylinders to be housed in a double row rack arrangement.

All cylinders are mounted on 12" centers.  
Maximum height of rack: 86"  
See rack assembly dimensions on back page.

#### MATERIAL

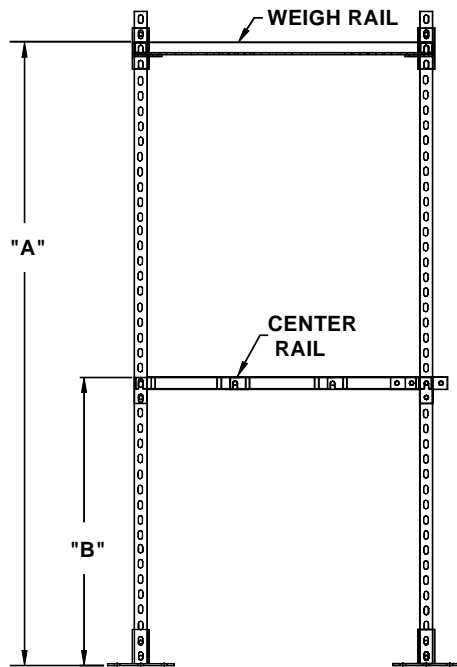
Rack: Steel Unistrut construction with galvanized finish  
Mounting hardware: Steel with galvanized finish  
Fasteners: Plated finish  
Marine: Stainless Steel

#### SPECIFICATION

<u>Part Number</u>	<u>Basic Rack Assembly</u>
C70-040-22	4 cylinder
C70-040-33	6 cylinder
C70-040-44	8 cylinder
C70-040-55	10 cylinder
C70-040-66	12 cylinder
<u>Part Number</u>	<u>Add-on Rack Assembly</u>
C70-040-22A	4 cylinder
C70-040-33A	6 cylinder
C70-040-44A	8 cylinder
C70-040-55A	10 cylinder
C70-040-66A	12 cylinder
<u>Marine Part Number</u>	<u>Basic Rack Assembly</u>
C70-040-22-N	4 cylinder
C70-040-33-N	6 cylinder
C70-040-44-N	8 cylinder
C70-040-55-N	10 cylinder
C70-040-66-N	12 cylinder
<u>Part Number</u>	<u>Add-on Rack Assembly</u>
C70-040-22A-N	4 cylinder
C70-040-33A-N	6 cylinder
C70-040-44A-N	8 cylinder
C70-040-55A-N	10 cylinder
C70-040-66A-N	12 cylinder

## CYLINDER RACKING ASSEMBLY

The figure and table below illustrate the vertical height at which the center / front rails and weigh rails should be located.



Recommended Mounting Dimensions				
Cylinder Size	English – In.		Metric – mm.	
	"A"	"B"	"A"	"B"
50 lb./22.7 kg	67.50	33.00	1715	838
75 lb./34.0 kg	72.5	38.50	1842	978
100 lb./45.4 kg	74.5	43.00	1892	1092