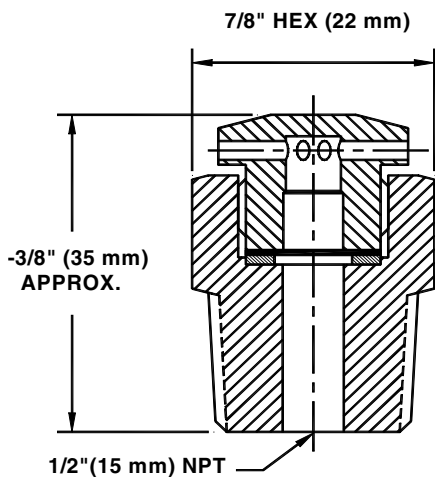


### CO<sub>2</sub> Suppression Systems

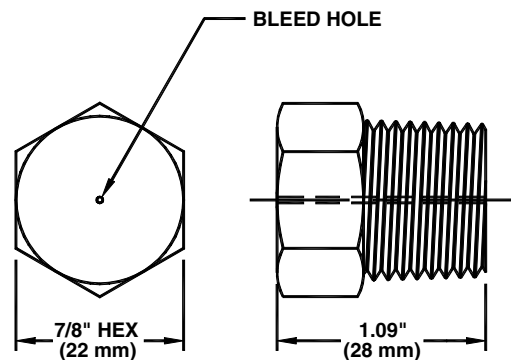
Architect and Engineering Specifications

C70-231  
C02-1363

UL - Ex 4447  
ULC CEx - 1312  
FM - 300238  
USCG - 162.161/2/0 (FM-200)  
USCG - 162.038/12/0 (CO<sub>2</sub>)



**HEADER SAFETY RELIEF**



**HEADER VENT PLUG**

#### APPLICATION

The header safety relief is a device used to relieve a high pressure build up in a closed section of piping. If actuation pressure is inadvertently trapped and, should an increase in temperature occur, it will cause the pressure to rise to a dangerous level, and the burst disc will rupture allowing the pressure to escape.

#### DESCRIPTION

The header safety is constructed of brass and is installed in a 1/2" (15 mm) NPT tee or coupling located in the closed section of piping. Should the pressure in a closed section of piping increase to a level of 2,650 to 3,000 psi, the disc will burst and allow the pressure to be vented safely to the atmosphere.

#### SPECIFICATIONS

Materials      Brass Body  
                    Nickel Disc

#### APPLICATION

The header vent plug is used to release a low pressure build-up that may occur in a closed piping system using time delays, selector valves or maintenance/stop valves. This pressure relief feature thus prevents pressure from building up to a level that will cause a system discharge.

#### DESCRIPTION

The header vent plug is constructed of brass and is installed in a 1/2" (15 mm) NPT tee, or coupling, located in the closed section of piping. The header vent plug continuously vents any trapped pressure to the atmosphere. During a system discharge, the vent hole will discharge an insignificant amount of CO<sub>2</sub> that does not affect system performance.

#### SPECIFICATIONS

Materials      Brass