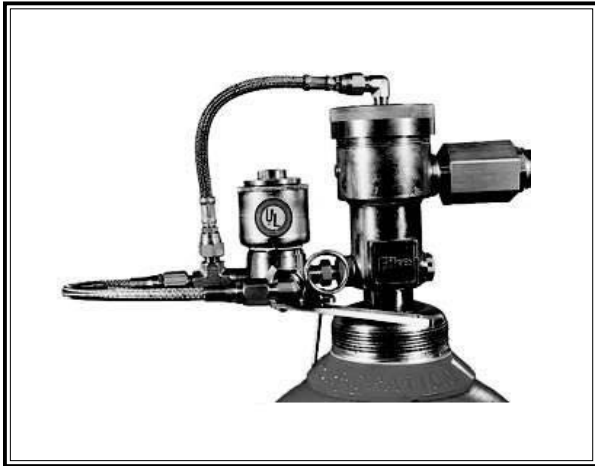


### *CO<sub>2</sub> Suppression Systems*

Architect and Engineering Specifications



#### DESCRIPTION

The Fike Carbon Dioxide Master Cylinder Valve can be actuated by two methods of operation:

- Manual / Mechanical actuator
- Electric solenoid actuator (12V or 24V DC)

The 12V and 24V DC Master Cylinder actuation package contain the following items:

- 12V DC or 24V DC electric solenoid
- Manual Actuator
- (2) Stainless Steel Flexible hoses
- Stainless Steel connector
- (2) 1/4" (8 mm) X 90° Brass elbows
- 1/4" (8 mm) Brass tee

The 12V and 24V DC solenoids meet the requirements of N.E.C. Class 1, Group C & D and Class II Group E, F & G applications.

The solenoids are compatible with the Fike SHP, Rhino, Intella-Scan II, and Cheetah multi-area control panels.

A manual actuator is provided for local "override" purposes. For manifold cylinder applications, the manual actuators can be connected together to provide simultaneous discharge of the master cylinders.

No "special" tools are required to reset the electric or manual actuators after operation.

For service, maintenance and inspection purposes, the master actuation package can be removed from the valve / cylinder even when the cylinder is full.

#### SPECIFICATIONS

Part Number: C85-113 12V DC Master Cylinder Actuation Package

C85-114 24V DC Master Cylinder Actuation Package

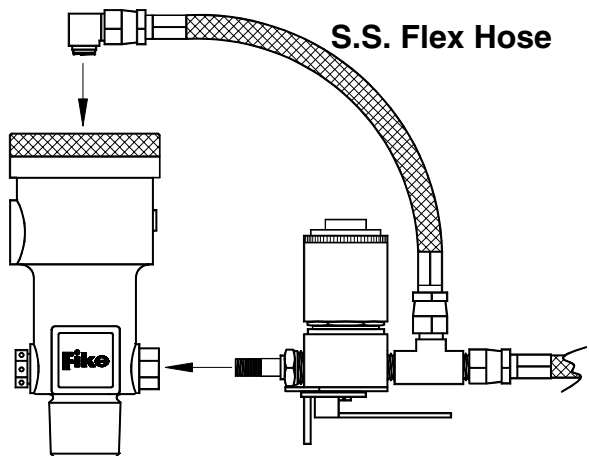
C85-115 12VDC Solenoid w/Pressure Gauge

C85-123 24VDC Solenoid w/Pressure Gauge

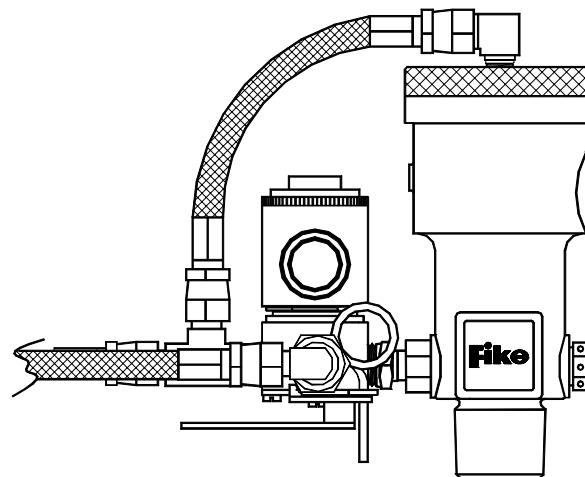
Materials: Brass and Stainless Steel

Temperature Range: 0°F to 130°F (-18° C to 54° C)

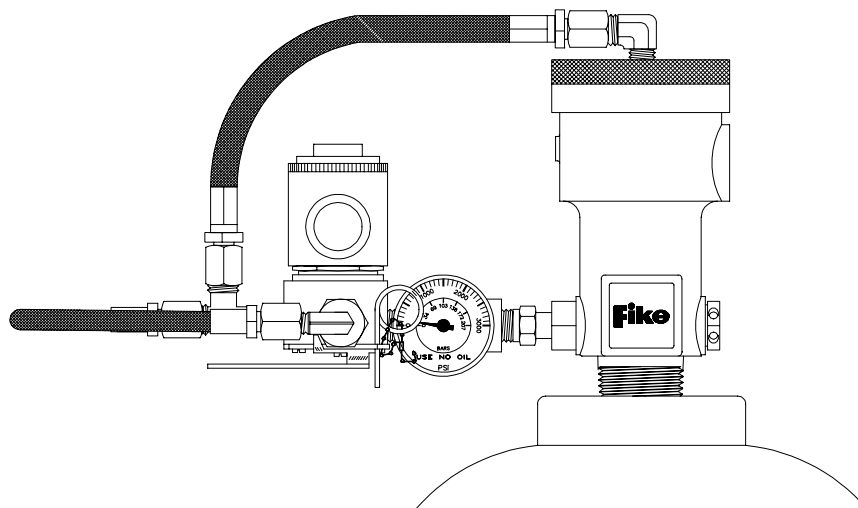
Approvals: U.L. Ex4447  
Factory Mutual  
U.L.C. CEx 1312



**Ex-Proof  
Electric Solenoid  
(12V DC or 24V DC)**



**Mechanical  
Manual Actuator  
(Local or Remote)**



**Ex-Proof Solenoid with Pressure Gauge**