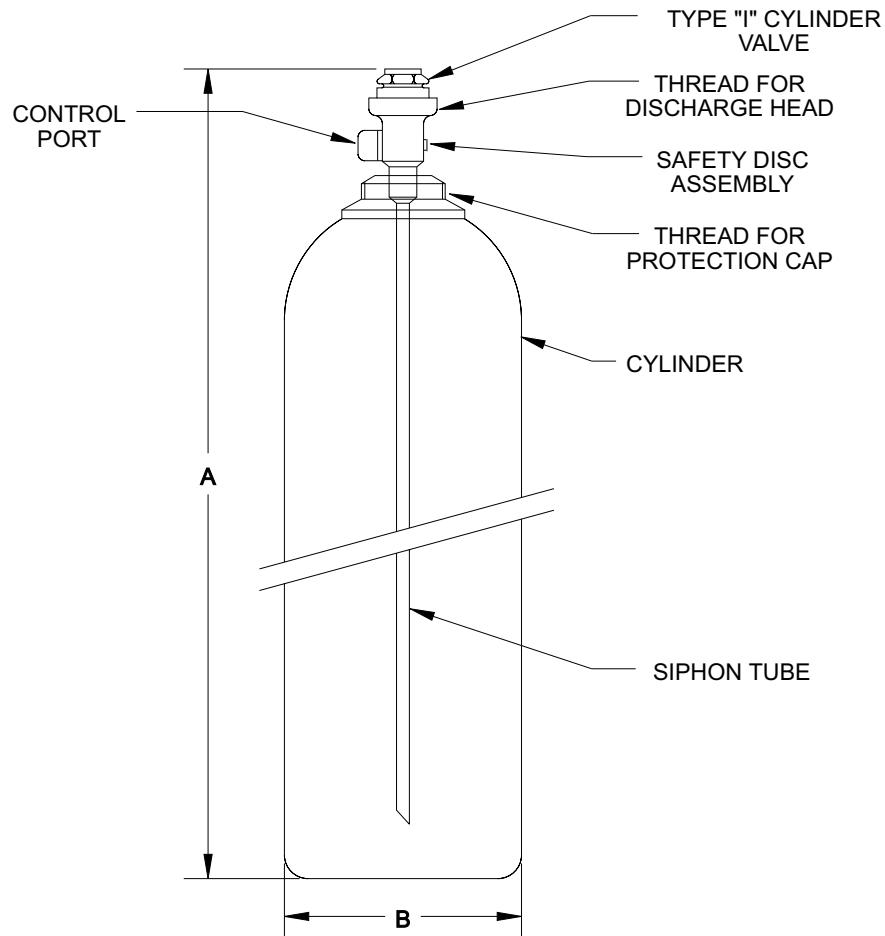


CO₂ Component Description

Effective: July 2001

K-81-1010

75 Lb., 100 Lb. Carbon Dioxide Cylinders



PART NUMBER	CYLINDER	VALVE TYPE	A	B
870287	75 LB	5/8"	60.0"	9.25"
870269	100 LB		62.0"	10.50"

MATERIALS

CYLINDER: STEEL

VALVE: SEE K-81-1050 FOR 5/8"

SIPHON TUBE: ALUMINUM

**FOR ADDITIONAL DATA,
SEE K-81-1030 FOR P/N - SEE TABLE**

This literature is provided for informational purposes only. KIDDE-FENWAL, INC. assumes no responsibility for the product's suitability for a particular application. The product must be properly applied to perform as described herein.

If you need more information on this product, or if you have a question, contact KIDDE-FENWAL, INC., Ashland, MA 01721. (508) 881-2000.

K-81-1010

7/01

©2001 Kidde-Fenwal, Inc.

Printed in U.S.A.

KIDDE[®]
Fire Systems

KIDDE-FENWAL, INC.
400 MAIN STREET, ASHLAND, MA 01721
TEL: (508) 881-2000 FAX: (508) 881-8920

KIDDE[®] Fire Systems